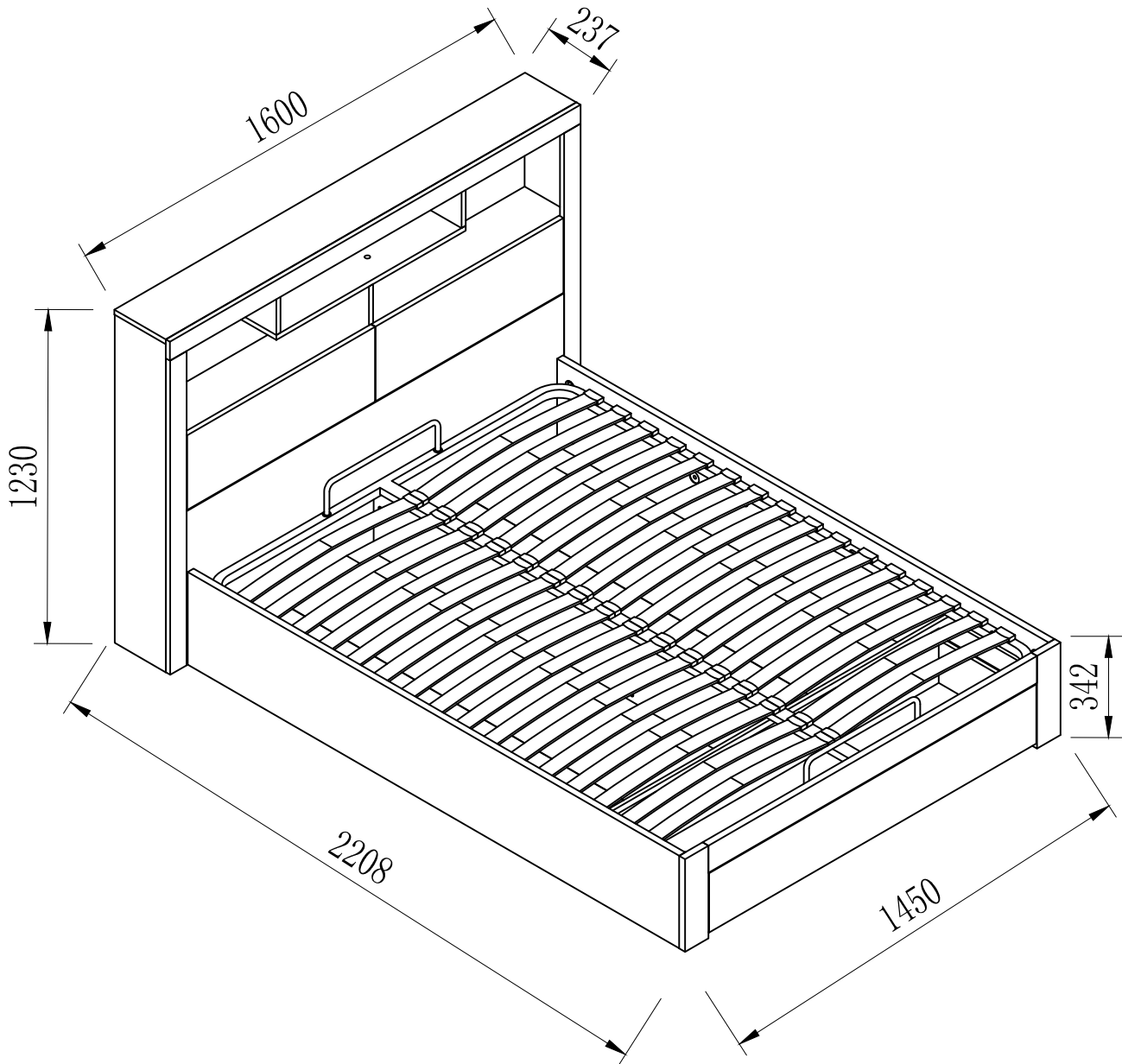




ASSEMBLY INSTRUCTION GEOVANA DOUBLE BED ITEM CODE 83764



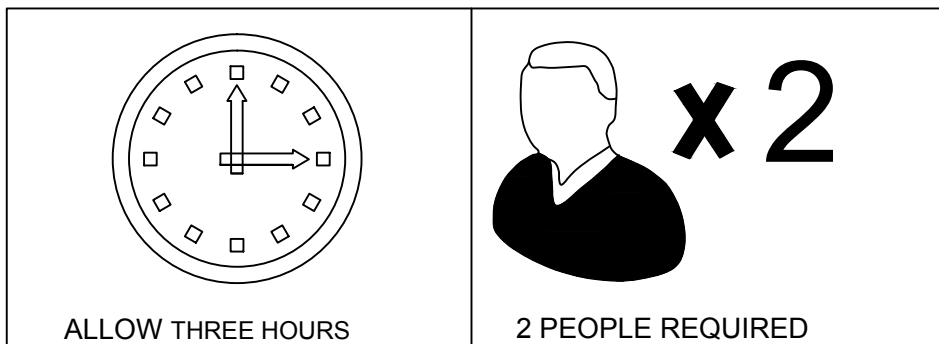
Imported by Amart Furniture Pty Ltd. Qld. Brisbane Australia.

For any assistance with assembly or for missing parts please phone Amart Furniture Customer Service Free call 1800 351 084

PRE-ASSEMBLY PREPARATION

Before you start:

1. Choose a clean, level, spacious assembly area. Avoid hard surfaces that may damage the product
2. Take care when lifting. Product should be assembled as near as possible to the point of use
3. Ensure that you have all required contents for complete assembly.
4. Always read the assembly instructions carefully before beginning assembly.
5. Keep all hardware parts and packaging out of reach of small children.
6. Do not over tighten the screws and bolts as this may damage the threads



WARNING



Do not allow children to play on this mechanised furniture or operate the mechanism. Ensure that the mattress and lift mechanism has been returned to the lowered position before lying or sitting on the mattress. Always ensure that your body is clear of the lift mechanism when lifting and lowering the mechanism

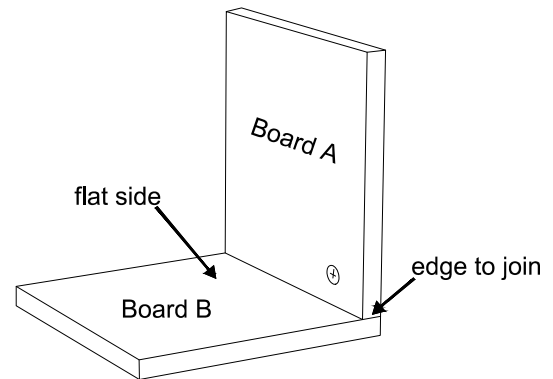
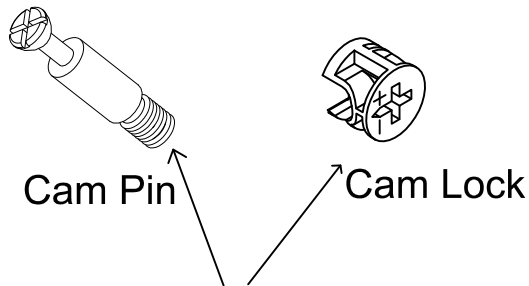
CAM Lock and Pins

step 1

HOW TO USE CAM LOCK FASTENERS

To assemble this product hardware called Cam Lock Fasteners are used. The below is information on how these work.

Cam Locks are fasteners used to join two boards together, usually the edge of one board(A) to the flat side of another board(B)



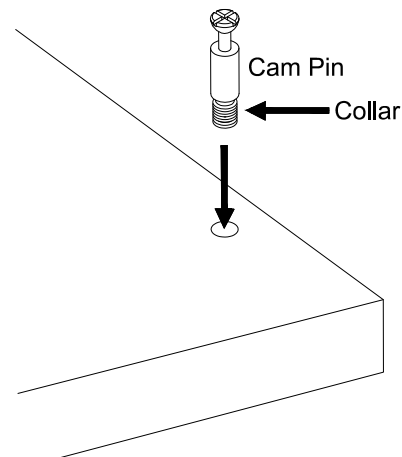
Ensure that you use the correct images that are representative of the hardware used in the product

step 2

To use Cam Lock Fasteners

The Cam Pin is inserted into the flat side of a board, it is important that:

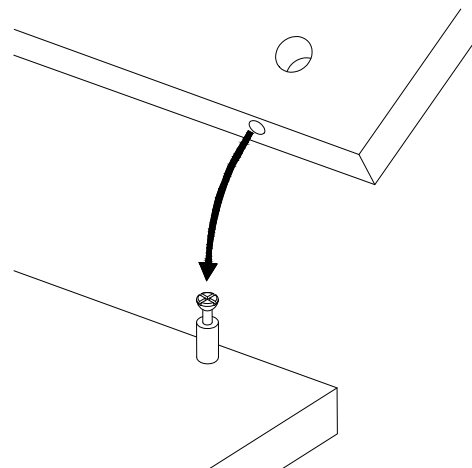
- * The cam pin is kept vertical and is not put in on an angle
- * Cam Pin is inserted up to the collar
 - * Too far and it wont catch the Cam Lock (Do not Over Tighten)
 - * Not enough and the resulting product wont be stable



step 3

To use Cam Lock Fasteners

Now fit the hole in the edge of the joining board over the Cam Pin

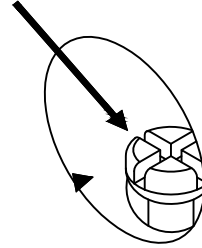


step 4

To use Cam Lock Fasteners

The Head of the Cam Pin will be visible in the large hole on the side of the joining board

head of the Cam Pin



To use Cam Lock Fasteners

Notice the Cam Lock has a "C" Shaped back An Arrow or +/- signs on the front, indicated the open section on the back of the Cam Pin



Cam Lock

step 5

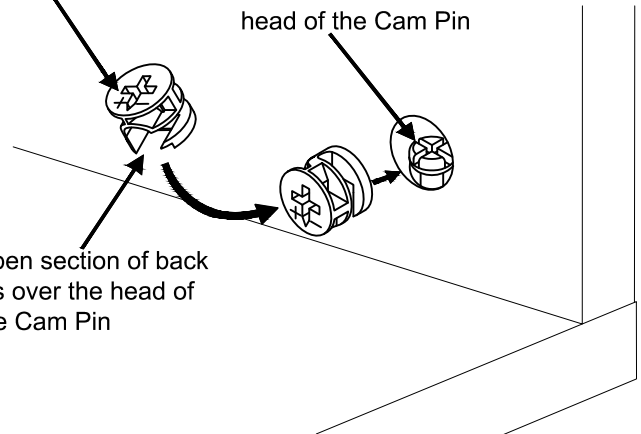
To use Cam Lock Fasteners

In sert the Cam Lock into the large hole so the opening of the "C" fits over the head of the Cam Pin. You must ensure that the Cam Lock is pushed to the bottom of the hole to catch the top of the Cam Pin

Arrow or +/- signs

head of the Cam Pin

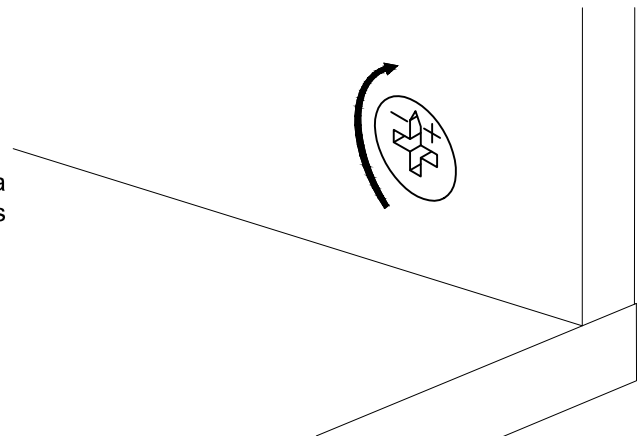
Open section of back fits over the head of the Cam Pin



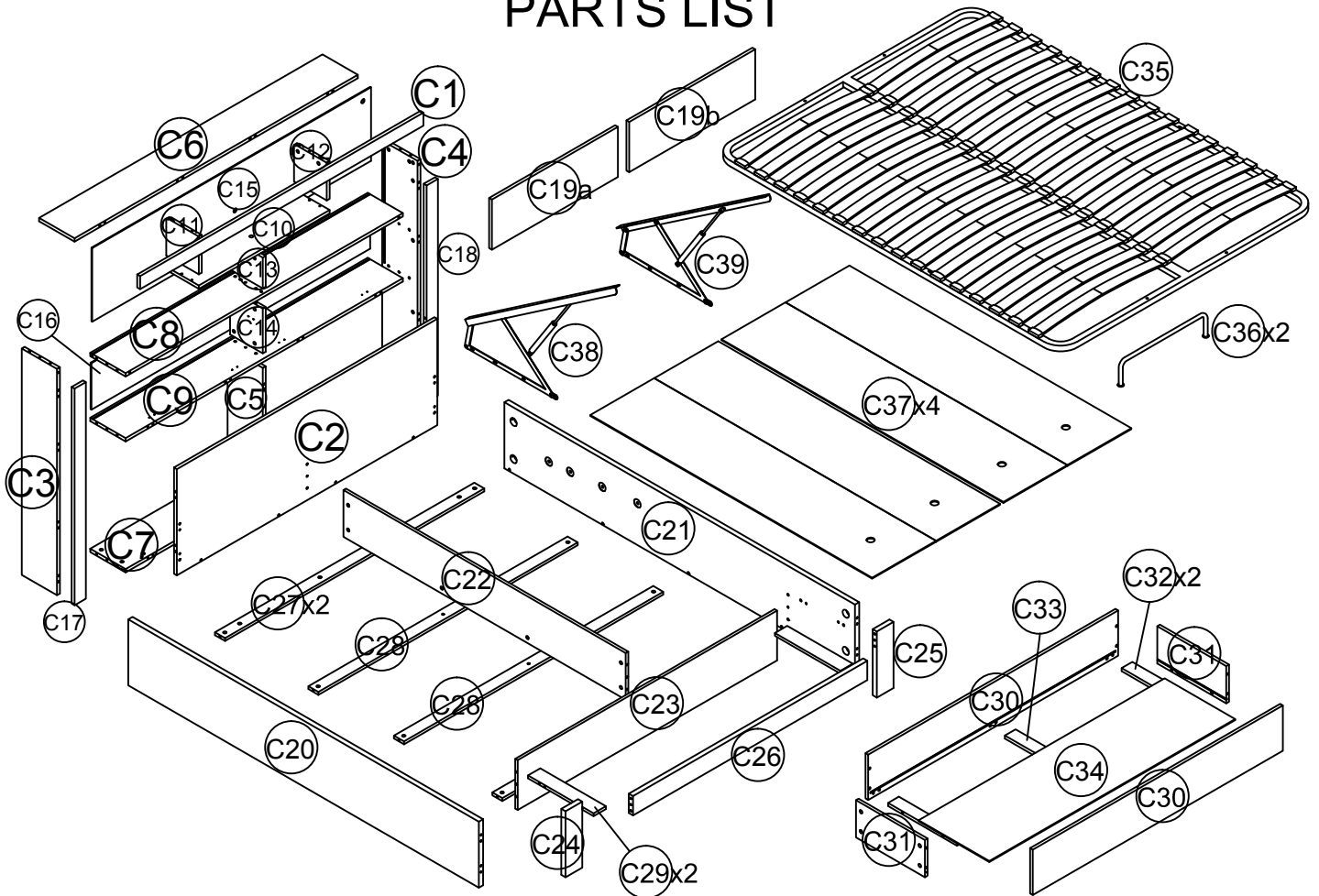
step 6

To use Cam Lock Fasteners

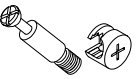
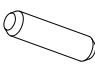


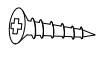

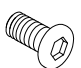
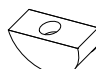
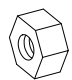





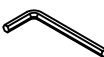
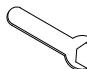



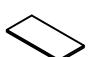


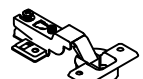



Use a flat screwdriver to turn the Cam Lock clockwise one half a turn so it Locks onto the head of the Cam Pin. Turn only until it is snug-over-tightening could cause the Cam to bend or break. If it will not turn the full amount, turn the Cam Pin out (counter-clockwise) one full turn, and try the Cam Lock again.



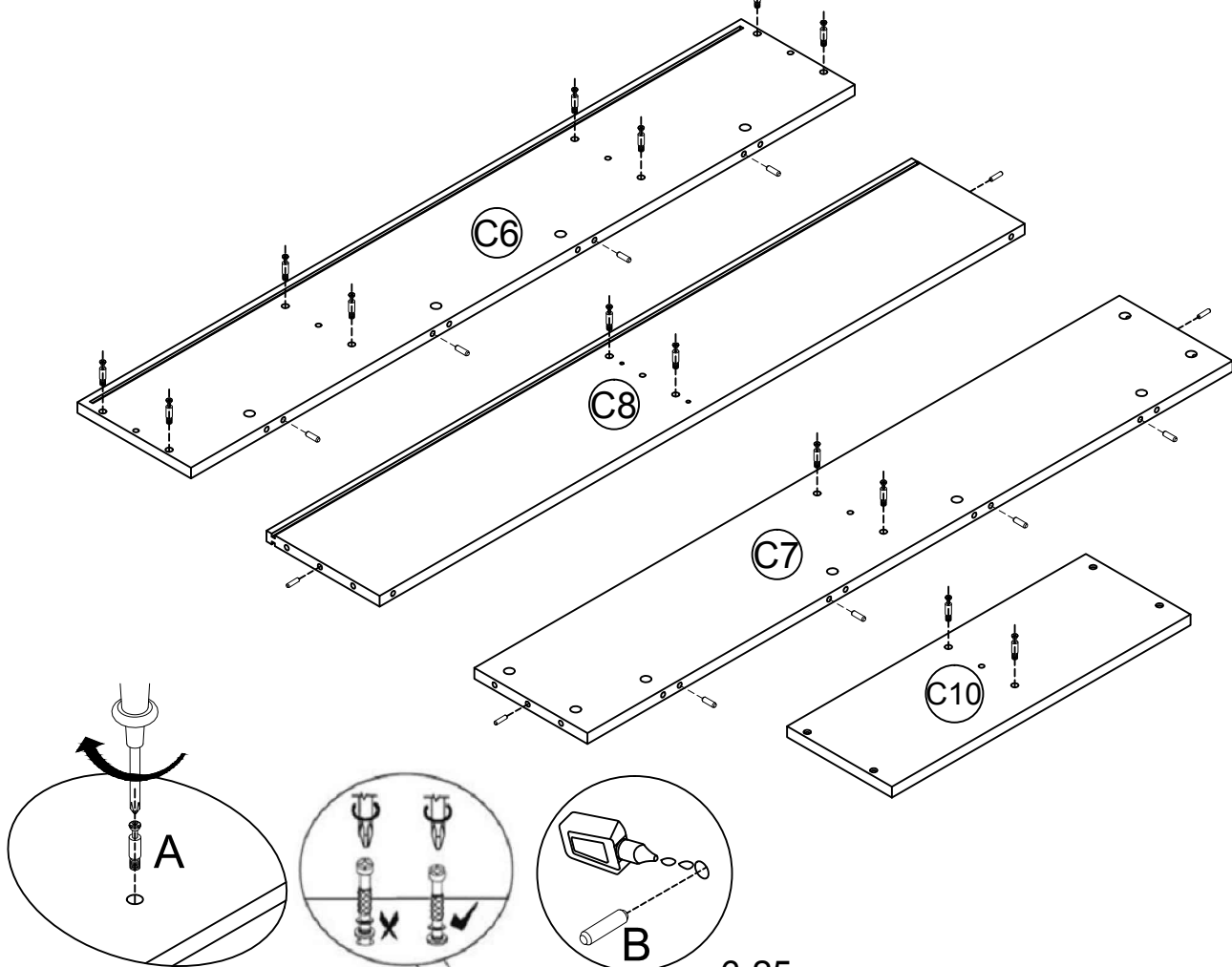
PARTS LIST



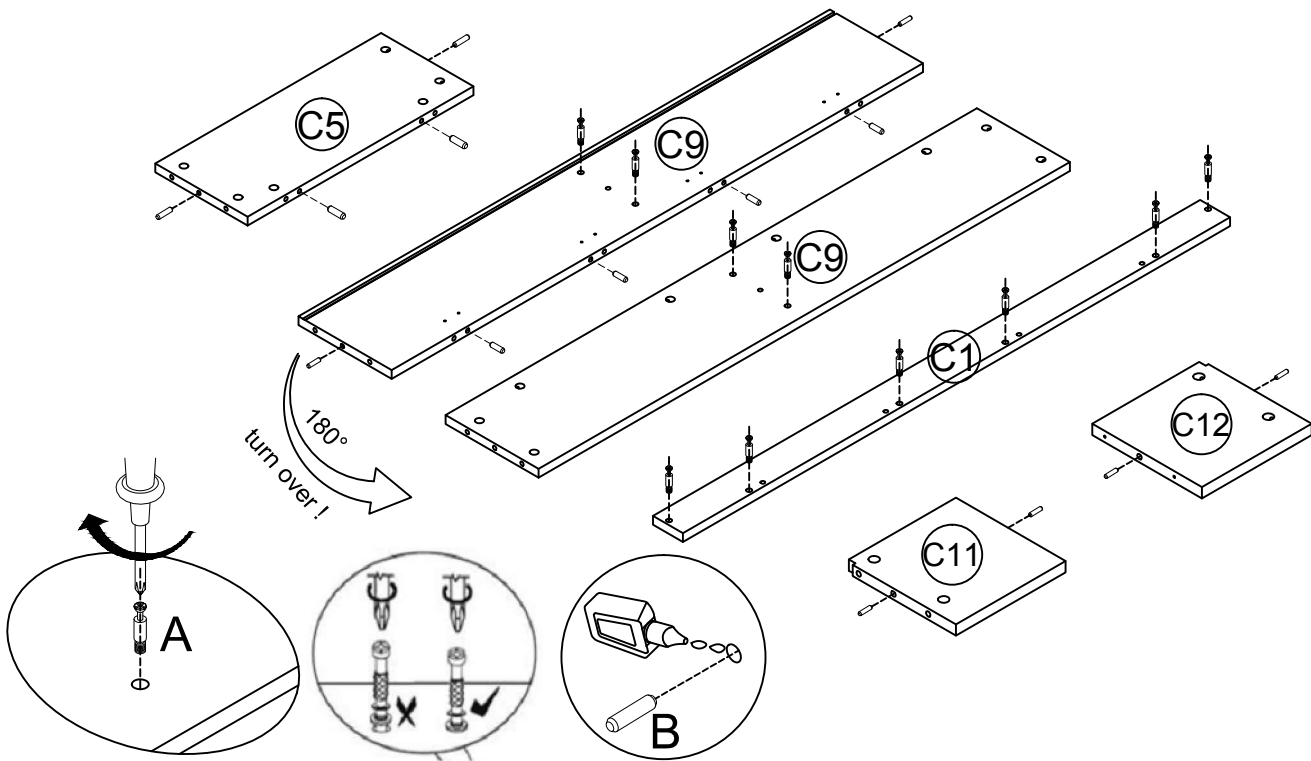
C1	Front Rail	C20	Left Side Panel
C2	Headboard Front Panel	C21	Right Side Panel
C3	Headboard Left Side Panel	C22	Middle Support Panel
C4	Headboard Right Side Panel	C23	Footboard Panel
C5	Middle Support Panel	C24	Left Connect Panel
C6	Headboard Top Panel	C25	Right Connect Panel
C7	Headboard Bottom Panel	C26	Front Connect Panel
C8	Shelf Panel	C27	Rail
C9	Shelf Panel	C28	Rail
C10	Shelf Panel	C29	Connect Panel
C11	Support Panel	C30	Drawer Panel
C12	Support Panel	C31	Drawer Side Panel
C13	Support Panel	C32	Drawer Support Panel
C14	Support Panel	C33	Drawer Middle Support Panel
C15	Back Panel	C34	Drawer Bottom Panel
C16	Back Panel	C35	Slats
C17	Left Front Panel	C36	Handle
C18	Right Front Panel	C37	Bottom Panel
C19a	Drawer Left Panel	C38	Gas Lift
C19b	Drawer Right Panel	C39	Gas Lift

A. Cam lock and Cam pin Ø15x35	<input type="checkbox"/>	B. Dowel Ø8x30	<input type="checkbox"/>	C. Bolt M8x90	<input type="checkbox"/>	D. Bolt M8x85	<input type="checkbox"/>	E. Screw Ø3x18	<input type="checkbox"/>	F. Connector	<input type="checkbox"/>	G. Bolt M8x20	<input type="checkbox"/>
													
110PCS		76PCS		4PCS		6PCS		16PCS		16PCS		8PCS	
H. Half Round Nuts M8	<input type="checkbox"/>	I. Hexagonal Nuts M8	<input type="checkbox"/>	J. Hexagonal Nuts M6	<input type="checkbox"/>	K. Bolt M6x50	<input type="checkbox"/>	L. Screw Ø3.5x16	<input type="checkbox"/>	M. Screw Ø3.5x30	<input type="checkbox"/>	N. Hex Key 5MM	<input type="checkbox"/>
													
10PCS		10PCS		6PCS		10PCS		44PCS		6PCS		1PCE	
O. Hex Key 4MM	<input type="checkbox"/>	P. Wrench M14	<input type="checkbox"/>	Q. Wrench M10	<input type="checkbox"/>	R. Washer Ø13	<input type="checkbox"/>	S. Washer Ø16	<input type="checkbox"/>	T. Protect foam 20x14x5mm	<input type="checkbox"/>	U. Cover Ø38	<input type="checkbox"/>
													
1PCE		1PCE		1PCE		12PCS		8PCS		20PCS		10PCS	
V. Wheel	<input type="checkbox"/>	W. Hinge	<input type="checkbox"/>	X.	<input type="checkbox"/>	Y. Glue	<input type="checkbox"/>	Z. Clip&Sticker	<input type="checkbox"/>		<input type="checkbox"/>		<input type="checkbox"/>
													
6PCS		4PCS		2PCS		1PCE		4PCS					

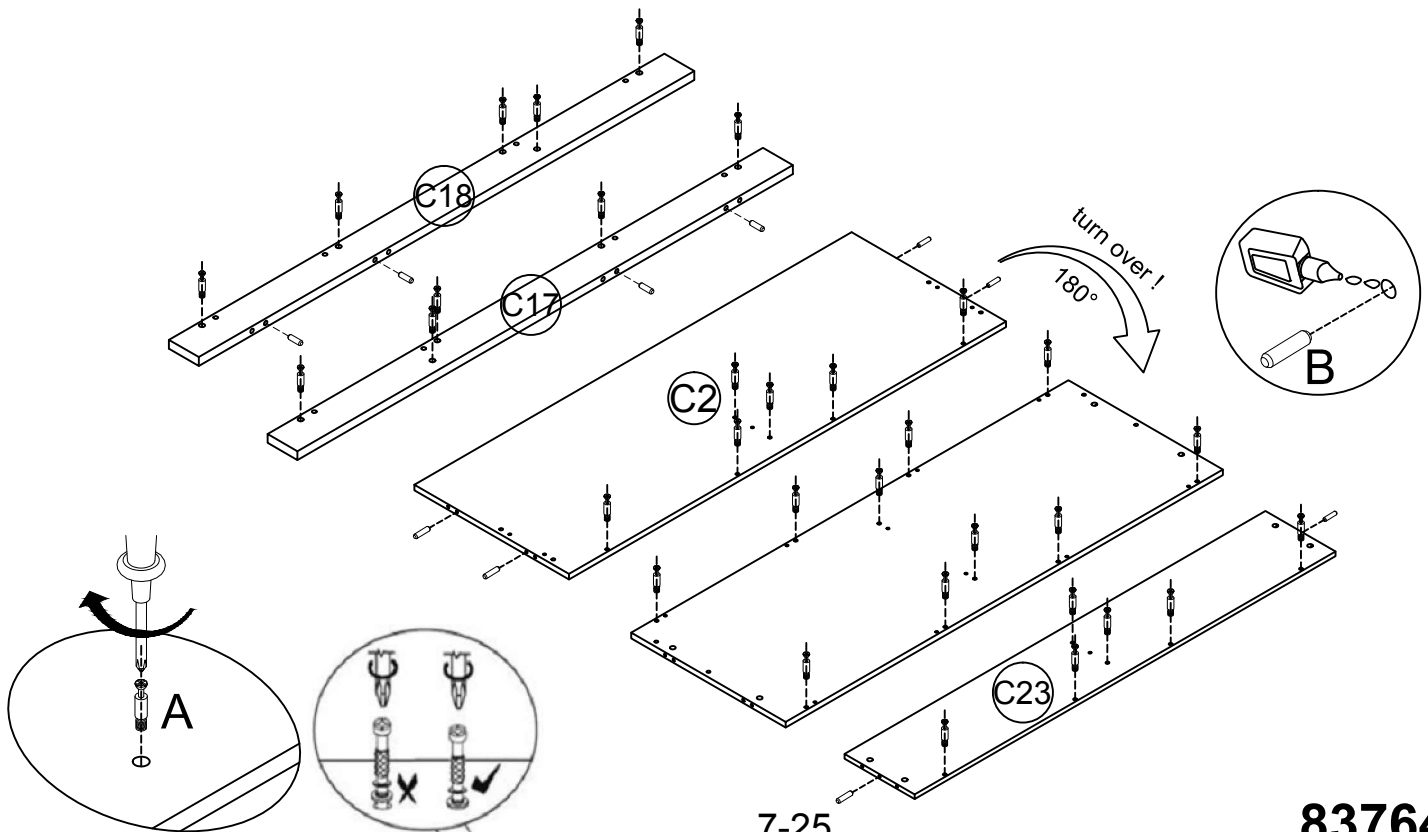
Step 1: Insert the Dowel(B) into the Top Panel(C6) and Headboard Bottom Panel(C7) and Shelf Panel(C8). Use Phillips Head Screw to Top Panel(C6) and insert the Cam Pin(A) to the Headboard Top Panel(C6) and the Headboard Bottom Panel(C7) and Shelf Panel(C10).



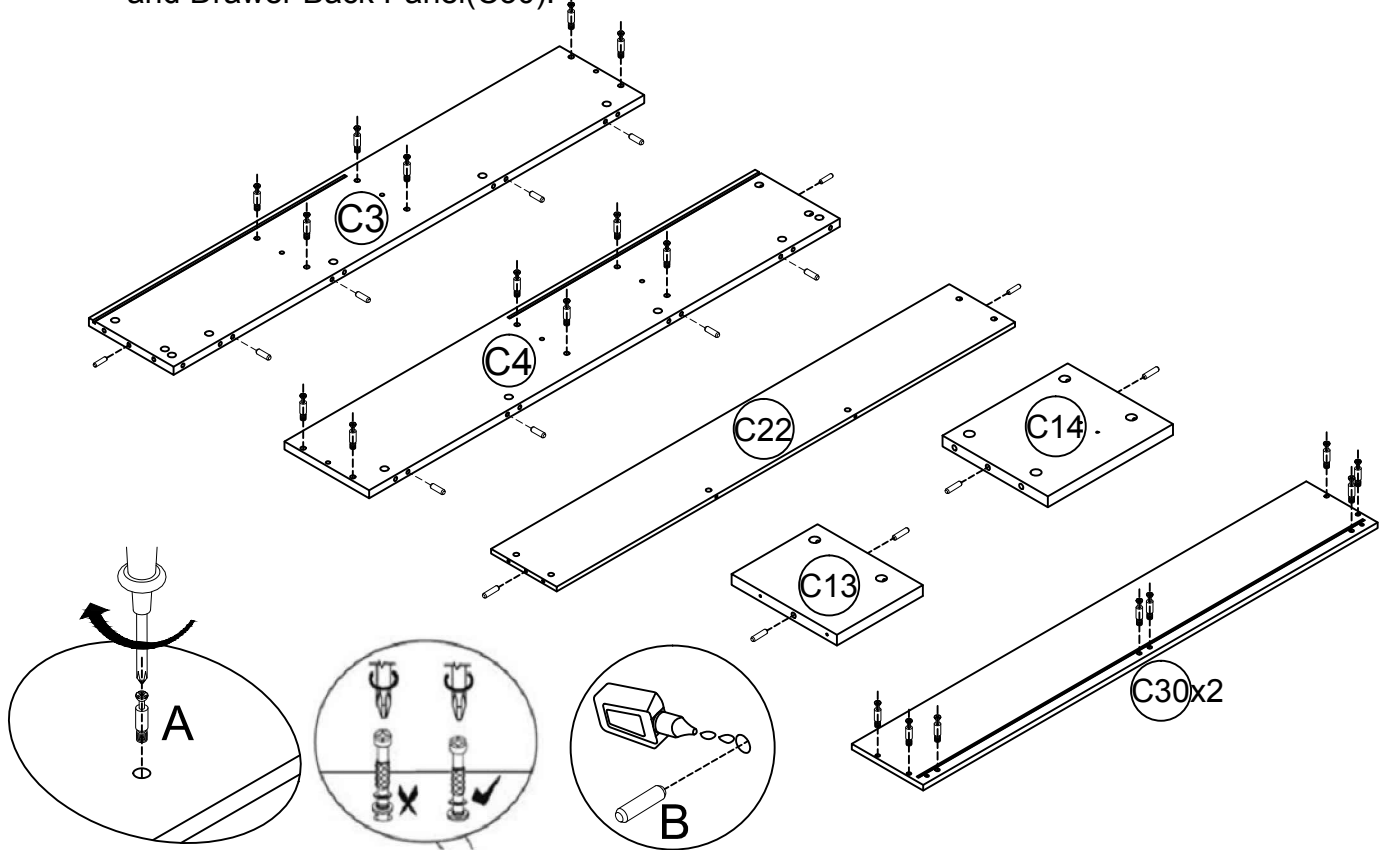
Step 2: Insert the Dowel(B) into the Middle Support Panel(C5) and Shelf Panel(C9)and Support Panel(C11/C12).Use Phillips Head Screw to insert the Cam Pin(A) to the Shelf Panel(C9)and the Front Rail(C1).



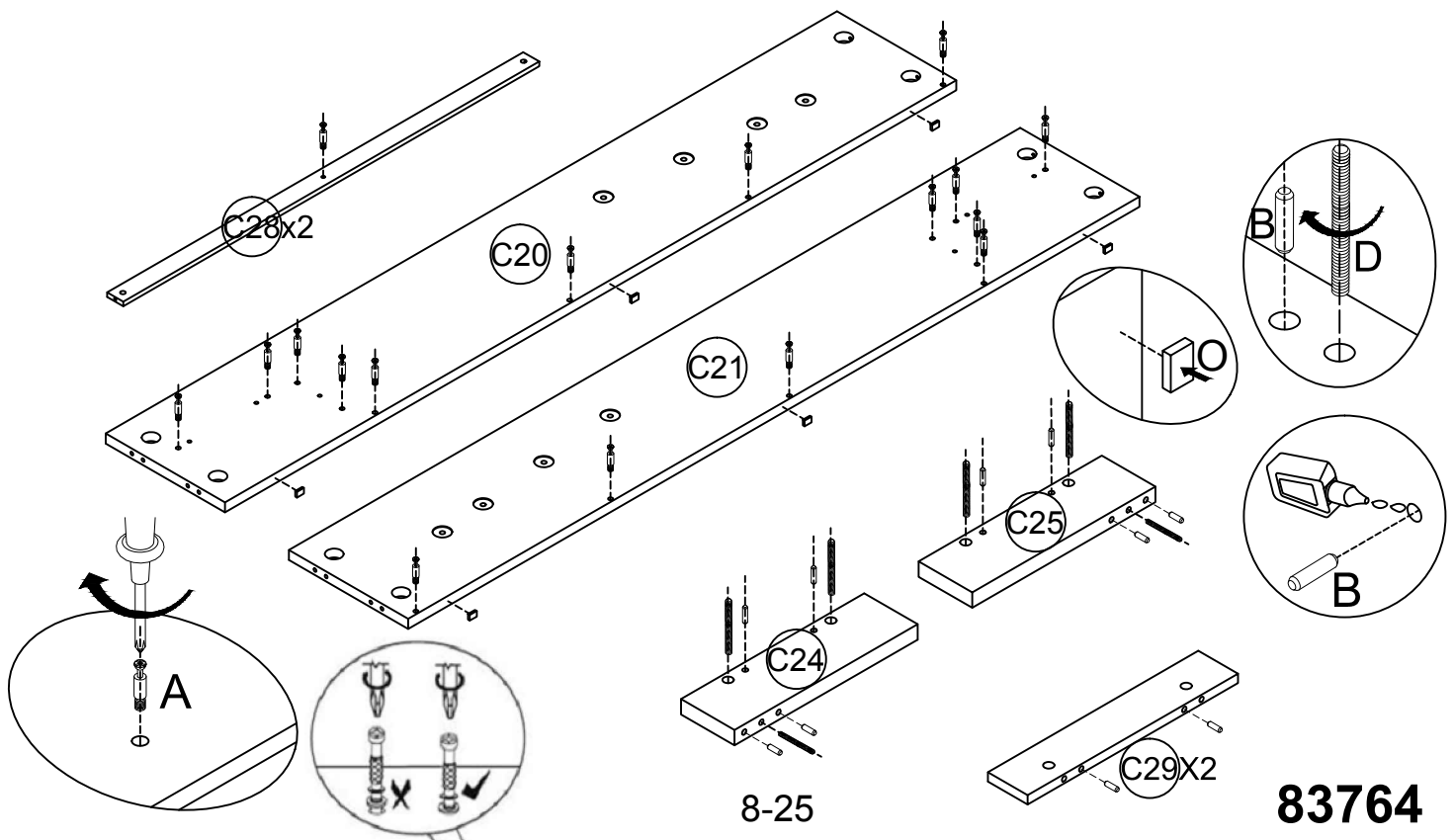
Step 3: Insert the Dowel(B) into Headboard Front Panel(C2) and Footboard Panel(C23) and Left Front Panel(C17) and Right Front Panel(C18). Use Phillips Head Screw to insert the Cam Pin(A) to the Headboard Front Panel(C2) and Footboard Panel(C23)and Left Front Panel(C17) and Right Front Panel(C18).



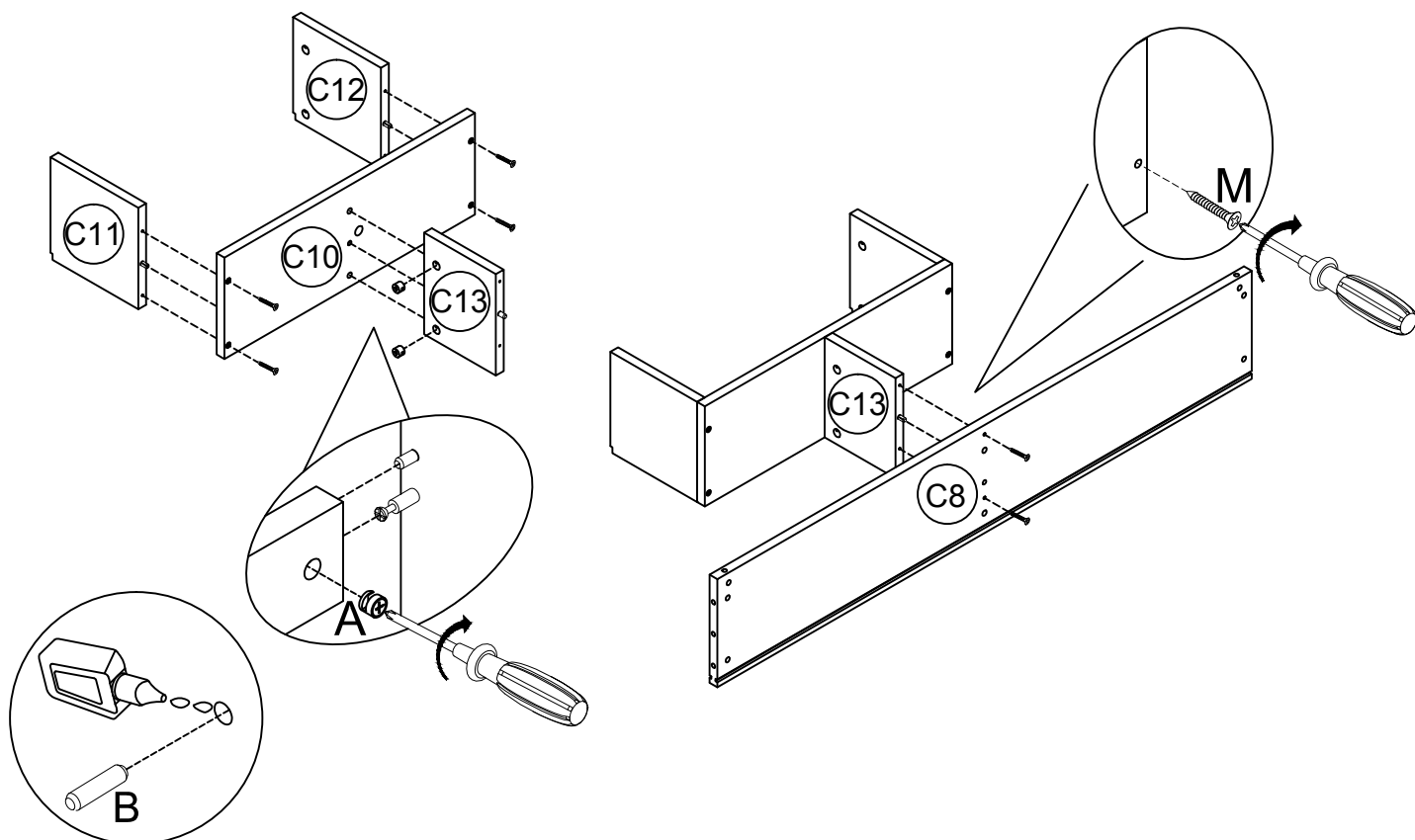
Step 4: Insert the Dowel(B) into the Headboard Left Side Panel(C3)and Headboard Right Side Panel(C4) and Support Panel(C13/C14) and Middle Support Panle(C22).Use Phillips Head Screw to insert the Cam Pin(A) to the Headboard Left Side Panel(C3)and Headboard Right Side Panel(C4) and Drawer Back Panel(C30).



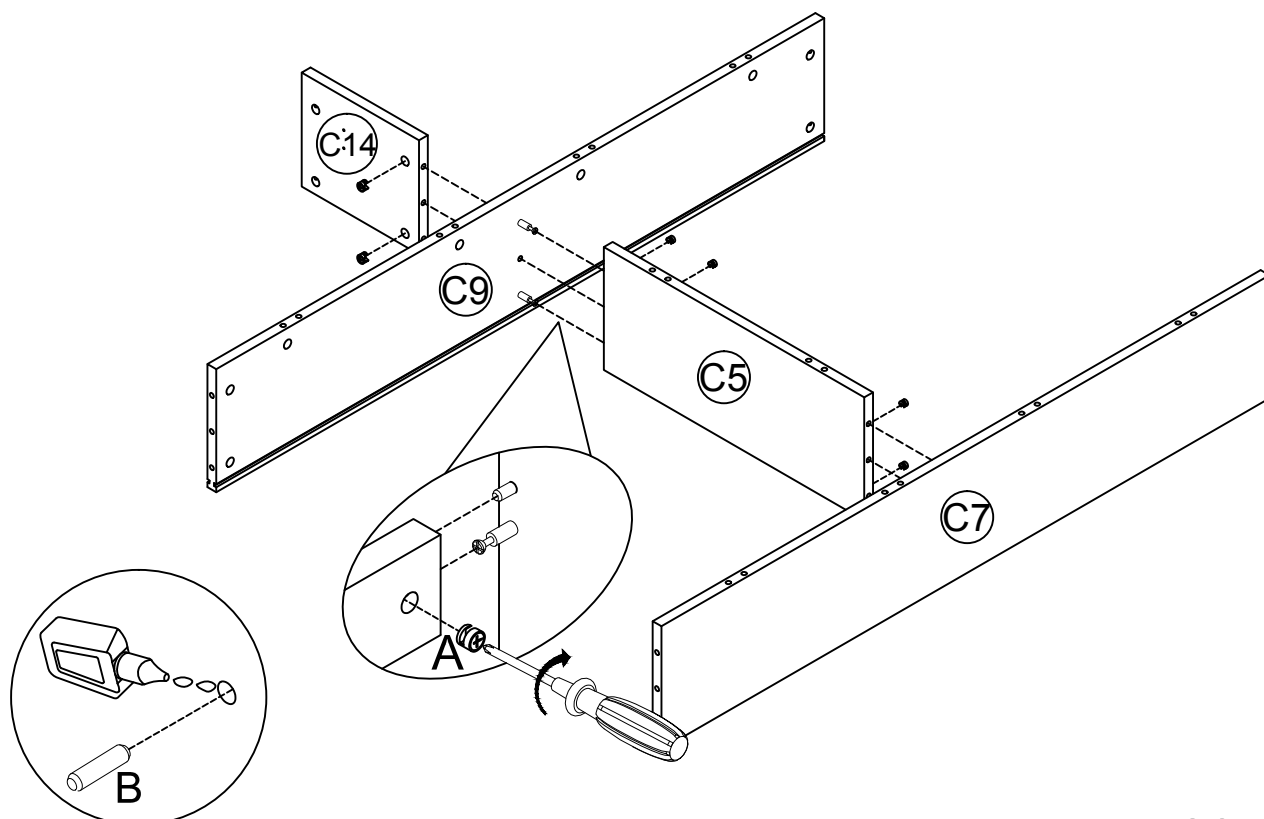
Step 5: Use Phillips Head Screw to insert the Cam Pin(A) to the Left Side Panel(C20)and Right Side Panel(C21) and Rail(C28).Insert the Dowel(B) into the Left Connect Panel(C24) and Right Connect Panel(C25) and Connect Panel(C29).And attach Bolt(D) to Left Connect Panel(C24) and Right Connect Panel(C25) and tighten it by hand.



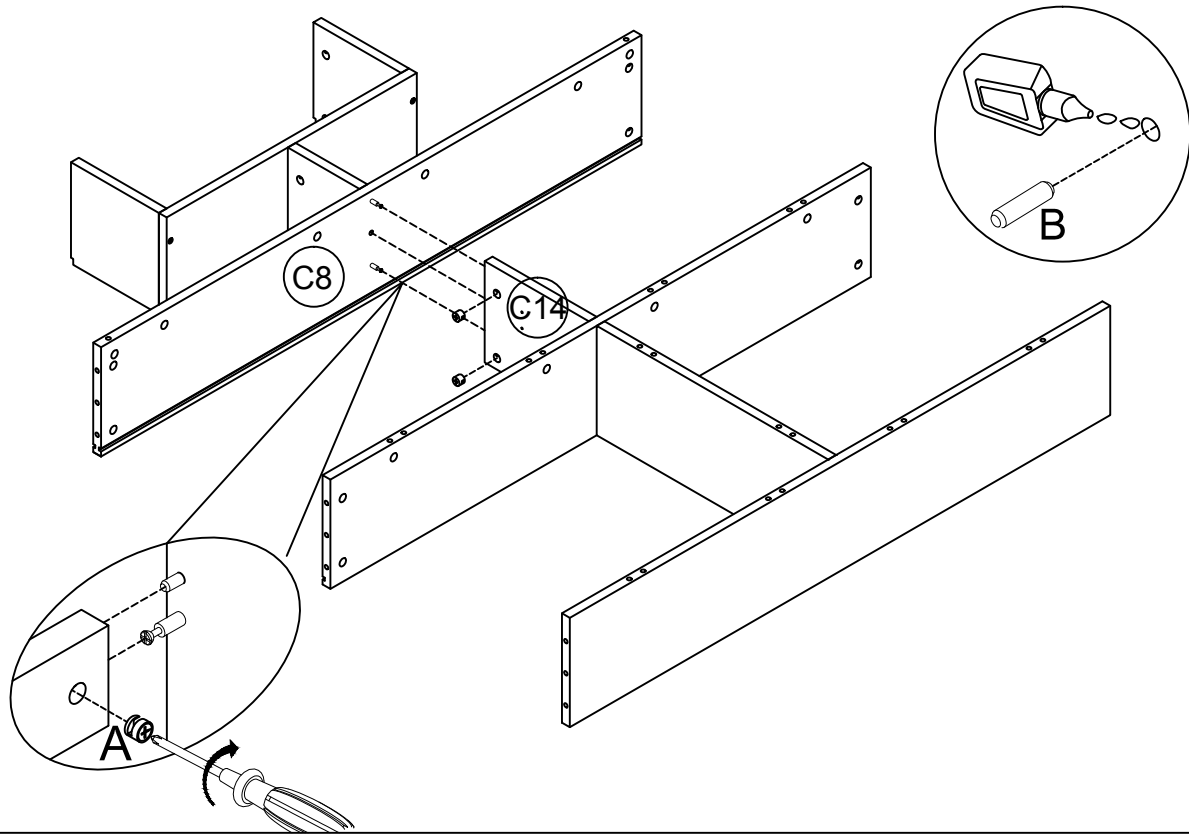
Step 6: Attach Support Panel(C11/C12) to the Shelf Panel(C10). Use a Phillips Head Screw to attach Support Panel(C13) to the Shelf Panel(C10) with Screw(M). And use a Phillips Head Screw to turn the Cam Lock(A) to lock into the head of the Cam Pin(A). Use a Phillips Head Screw to attach Shelf Panel(C8) to the Support Panel(C13) with Screw(M).



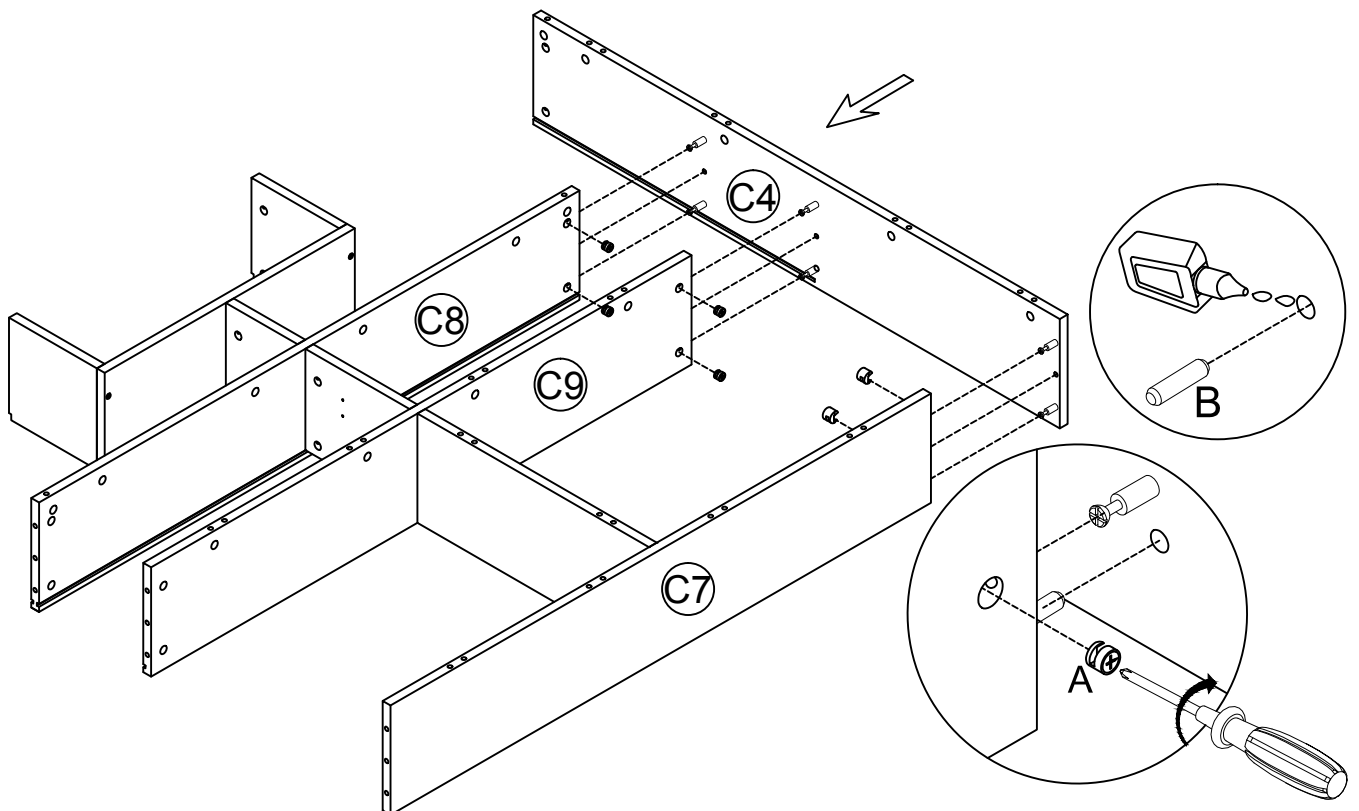
Step 7: Attach Support Panel(C14) and Middle Support Panel(C5) to the Shelf Panel(C9). And then attach Headboard Bottom Panel(C7) to the Support Panel(C5). Use a Phillips Head Screw to turn the Cam Lock(A) to lock into the head of the Cam Pin(A).



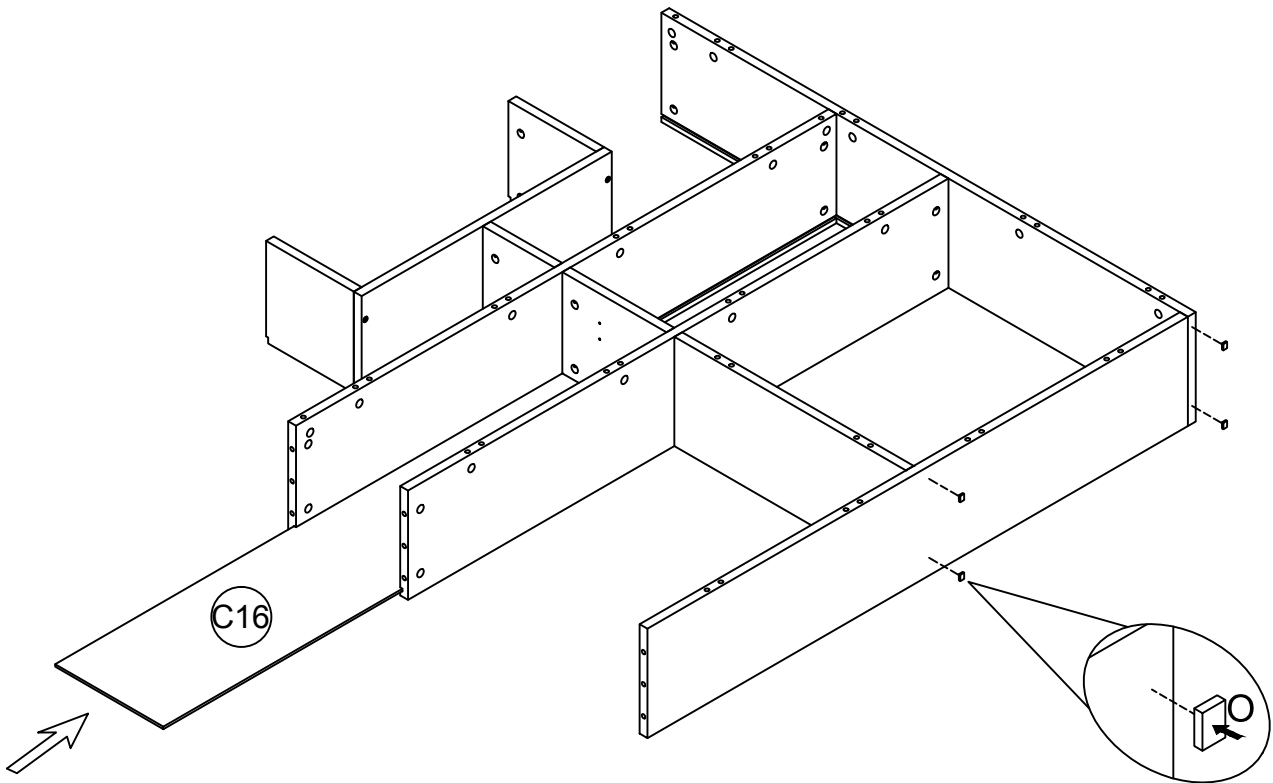
Step 8: Attach Shelf Panel(C8) to the Support Panel(C14).And use a Phillips Head Screw to turn the Cam Lock(A) to lock into the head of the Cam Pin(A).



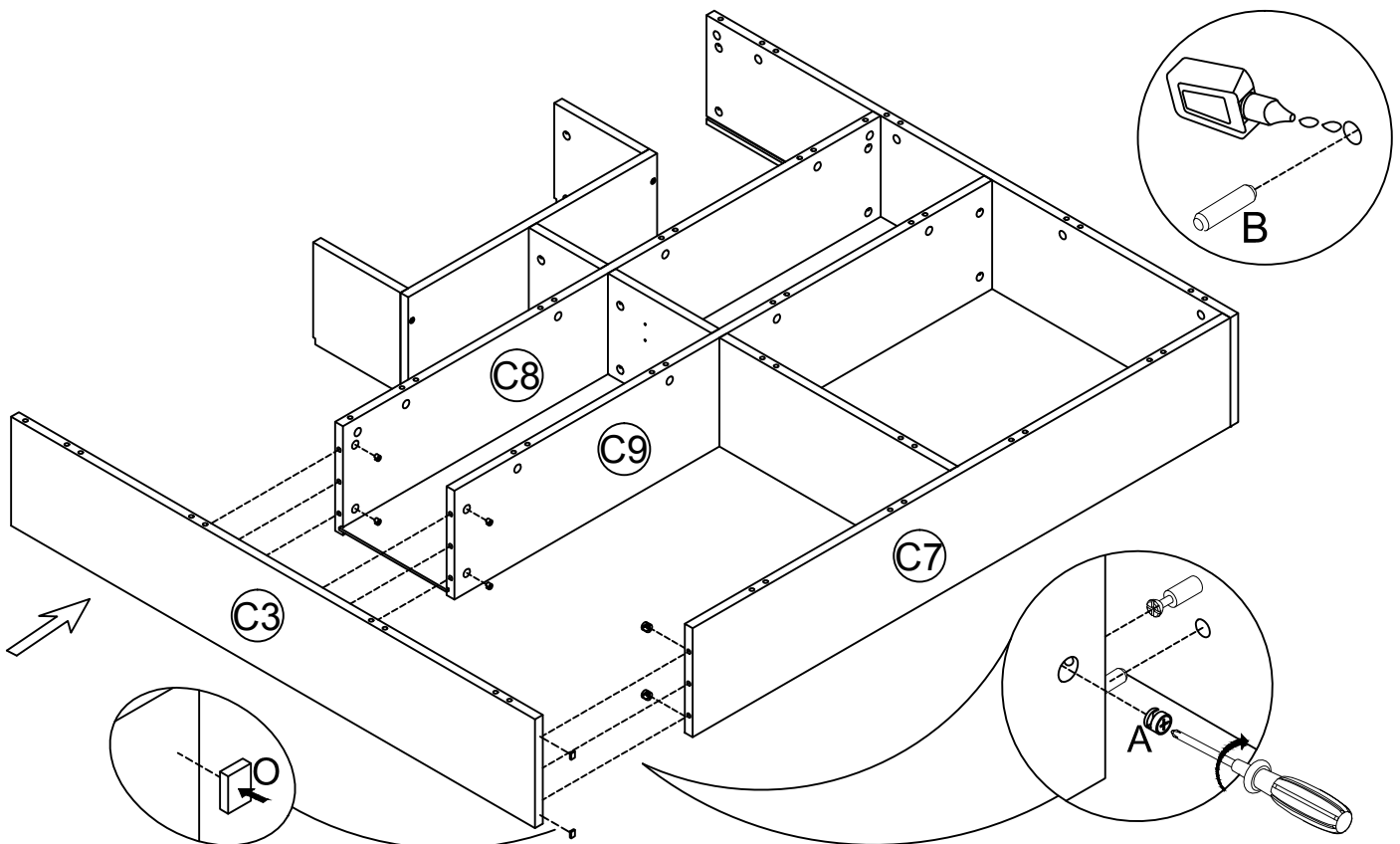
Step 9: Attach Headboard Right Side Panel(C4) to the Headboard Bottom Panel(C7) and Shelf Panel(C8/C9).And use a Phillips Head Screw to turn the Cam Lock(A) to lock into the head of the Cam Pin(A).



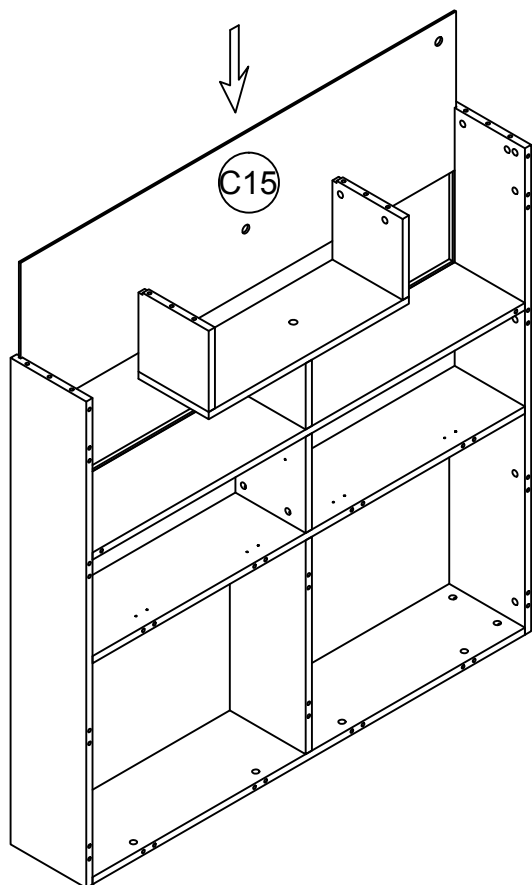
Step 10: Insert the Back Panel(C16) to the groove. And attach Protect Foam(O) to the Headboard Bottom Panel(C7).



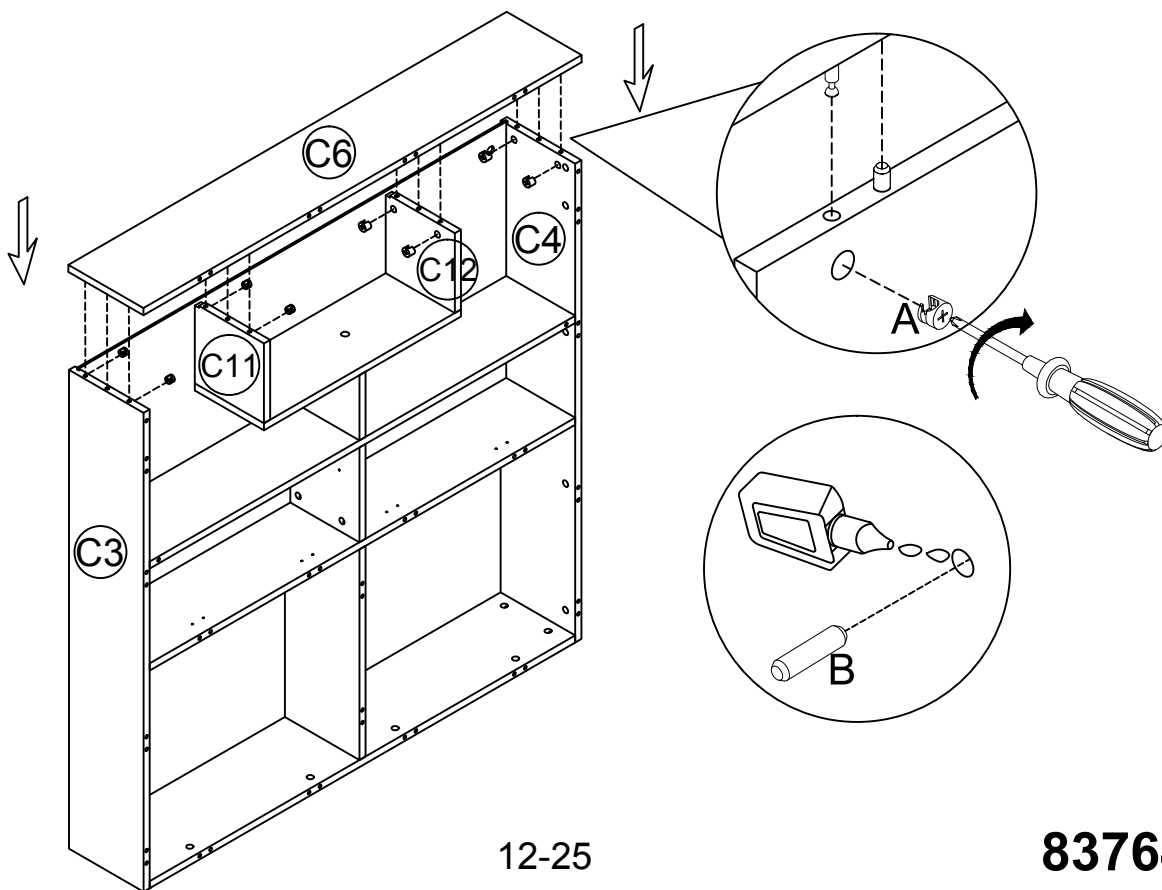
Step 11: Attach Headboard Left Side Panel(C3) to the Headboard Bottom Panel(C7) and Shelf Panel(C8/C9). And use a Phillips Head Screw to turn the Cam Lock(A) to lock into the head of the Cam Pin(A).



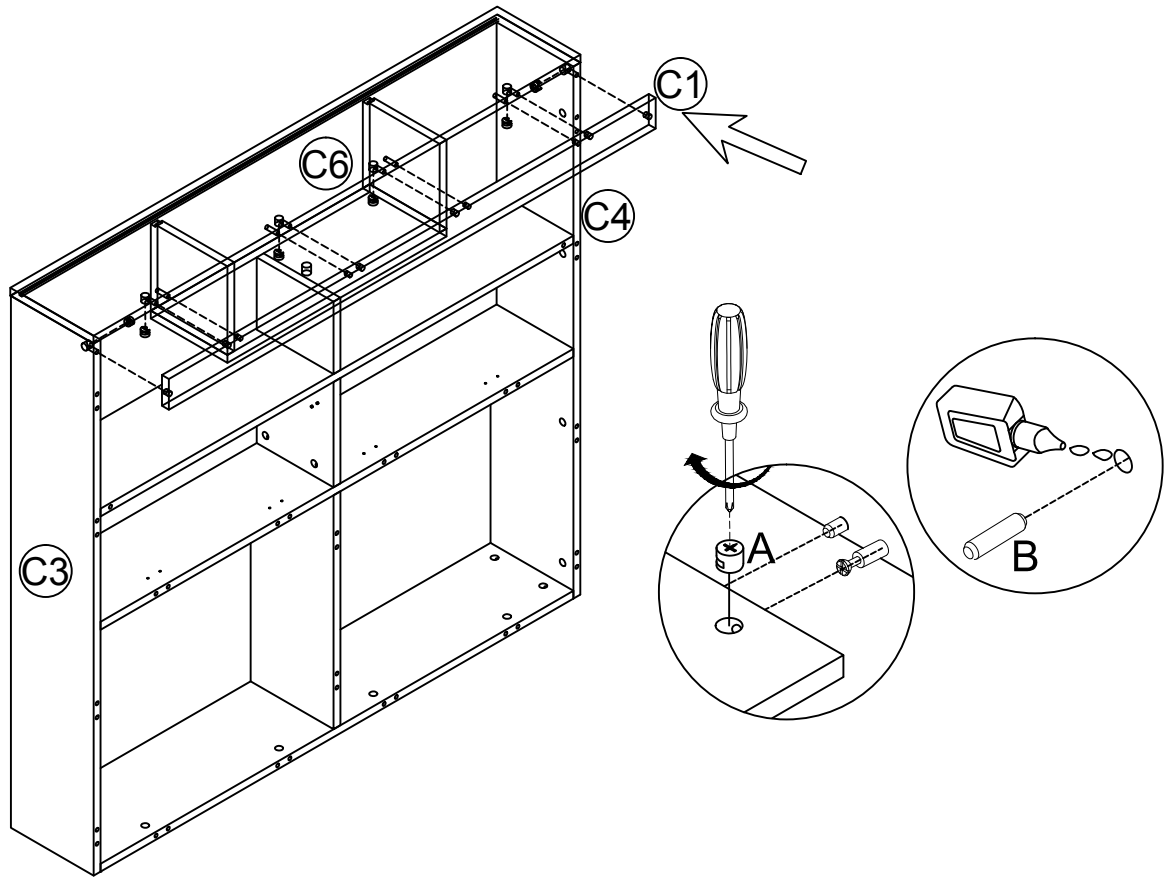
Step 12: Insert the Back Panel(C15) to the groove.



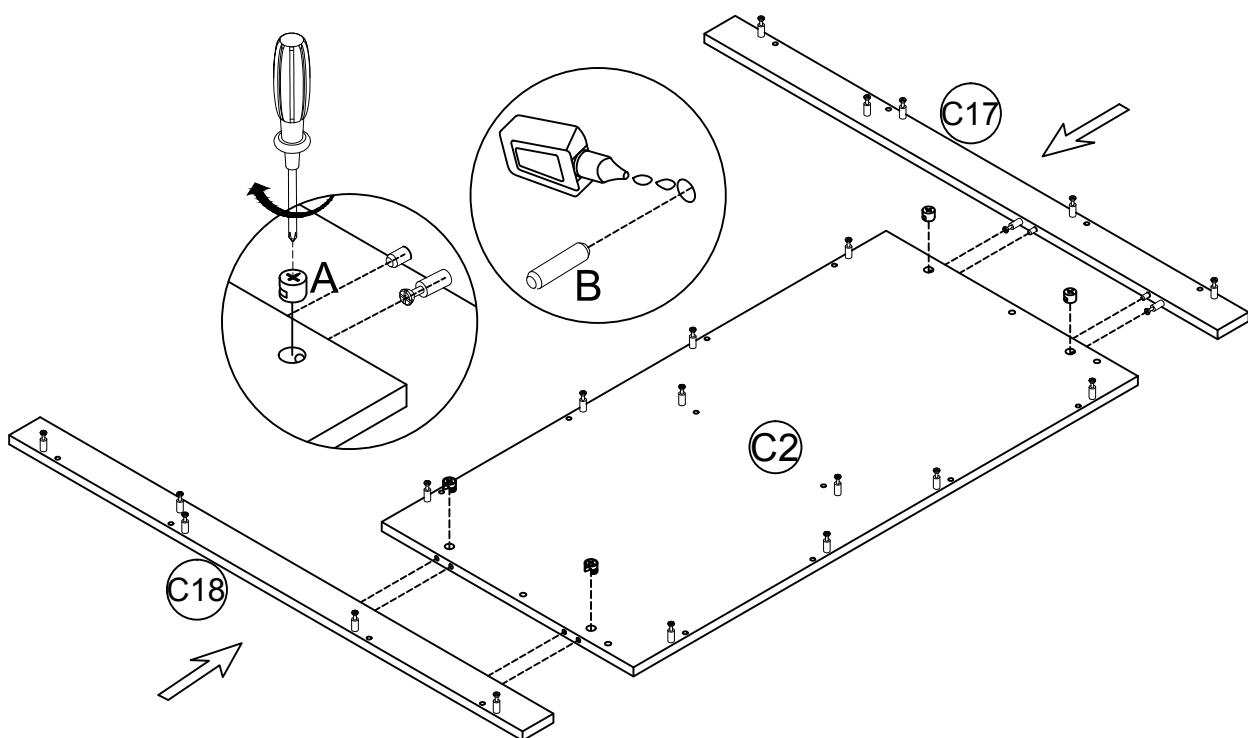
Step 13: Attach the Headboard Top Panel(C6) to the Headboard Left Side Panel(C3) and Headboard Right Side Panel(C4) and Support Panel(C11/C12). And use a Phillips Head Screw to turn the Cam Lock(A) to lock into the head of the Cam Pin(A).



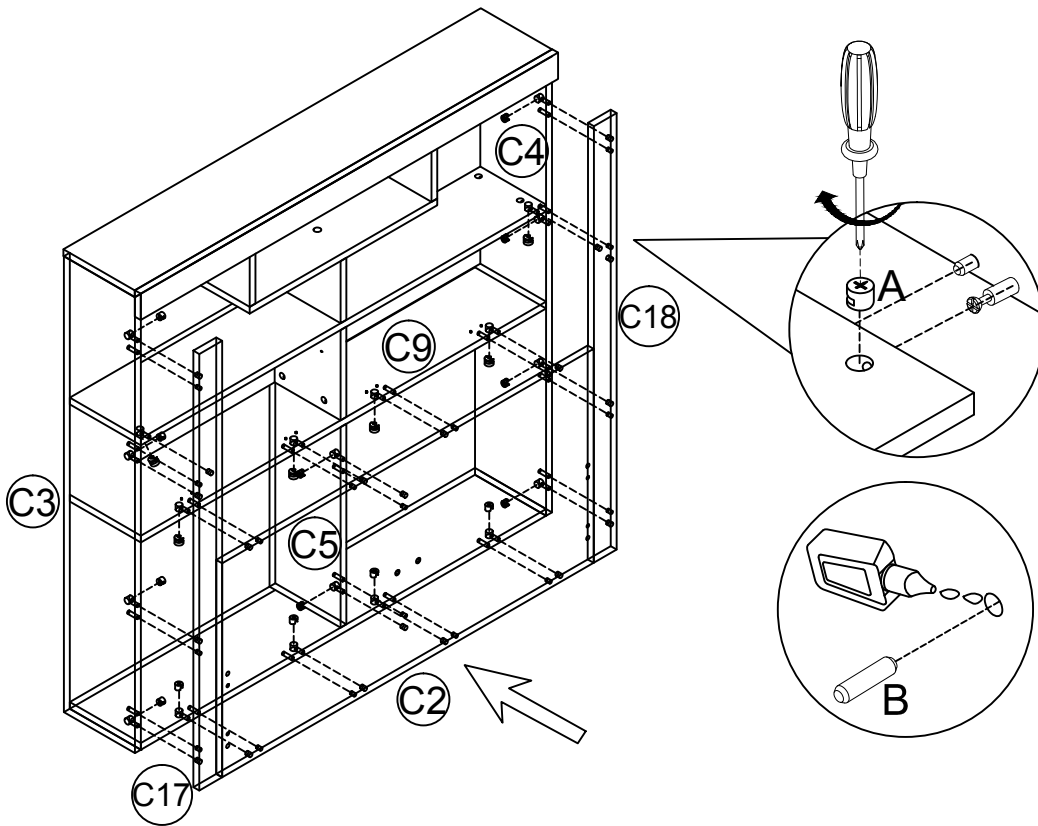
Step 14: Attach Front Rail(C1) to the Headboard Left Side Panel(C3) and Headboard Right Side Panel(C4) and Support Panel(C11/C12). And use a Phillips Head Screw to turn the Cam Lock(A) to lock into the head of the Cam Pin(A).



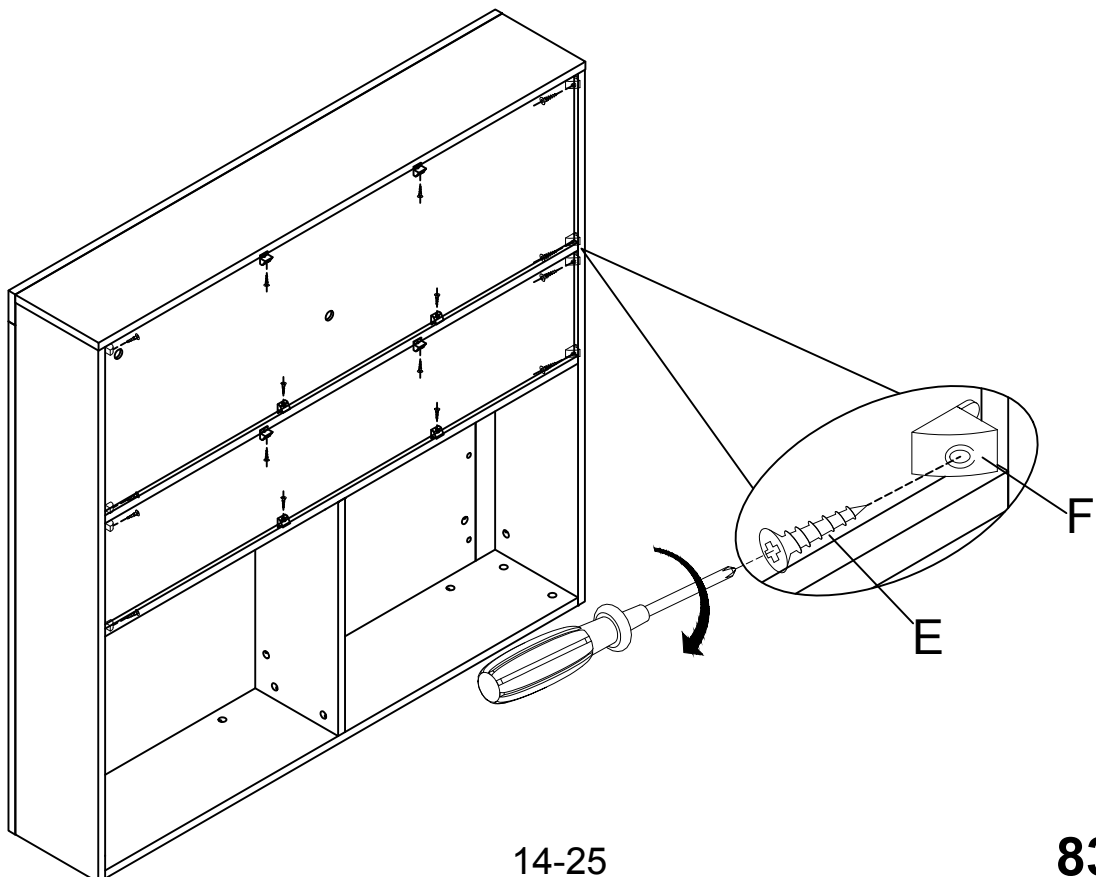
Step 15: Attach Left Front Panel(C17) and Right Front Panel(C18) to the Headboard Front Panel(C2). And use a Phillips Head Screw to turn the Cam Lock(A) to lock into the head of the Cam Pin(A).



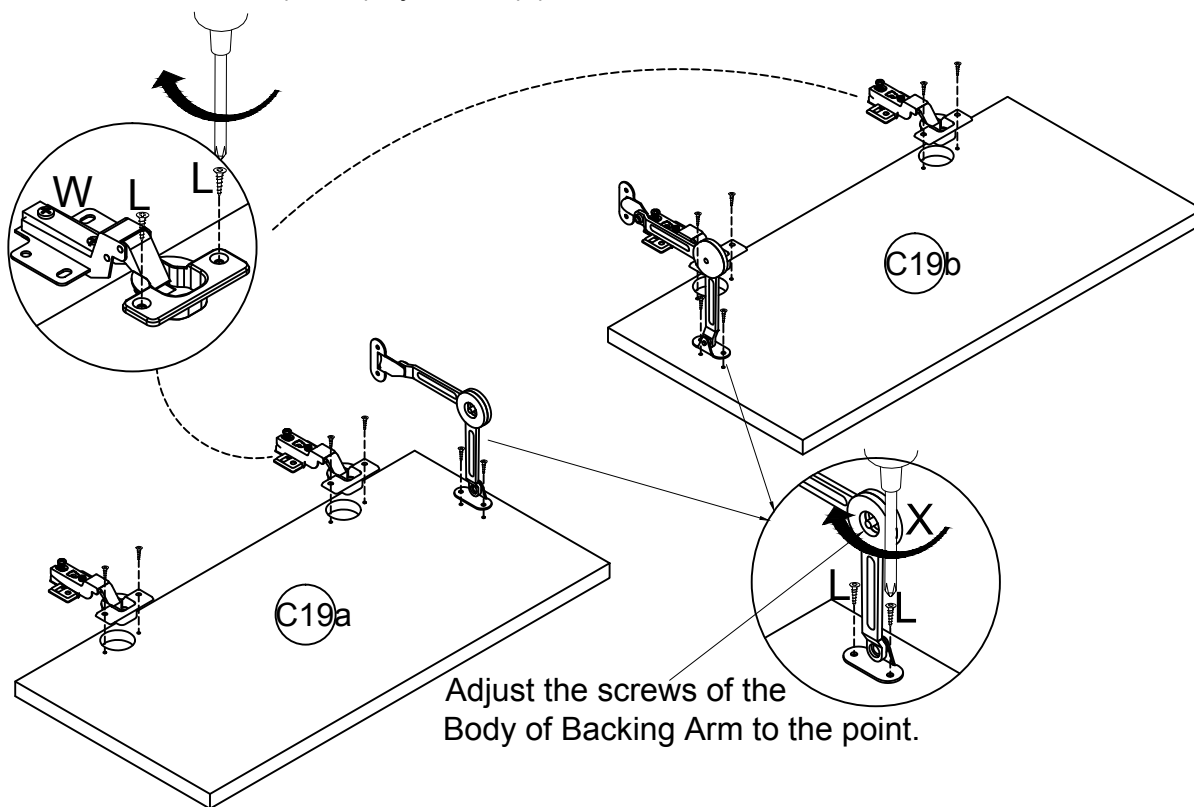
Step 16: Attach Left Front Panel(C17) and Right Front Panel(C18) and Headboard Front Panel(C2) to the Headboard Left Side Panel(C3) and Headboard Right Side Panel(C4) and Shelf Panel(C8/C9). And use a Phillips Head Screw to turn the Cam Lock(A) to lock into the head of the Cam Pin(B).



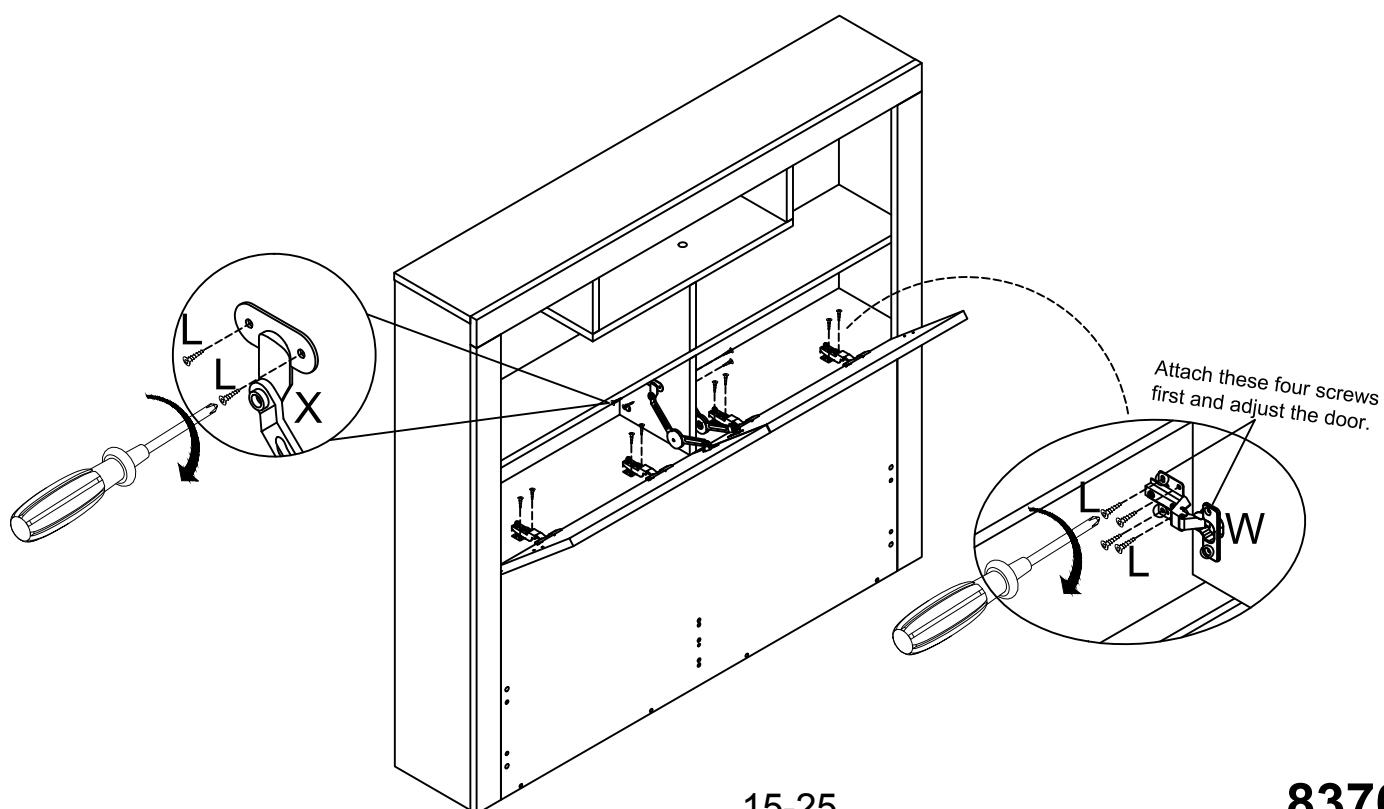
Step 17: Use a Phillips Head Screw to attach the Connector(F) to the back corner with Screw(E).

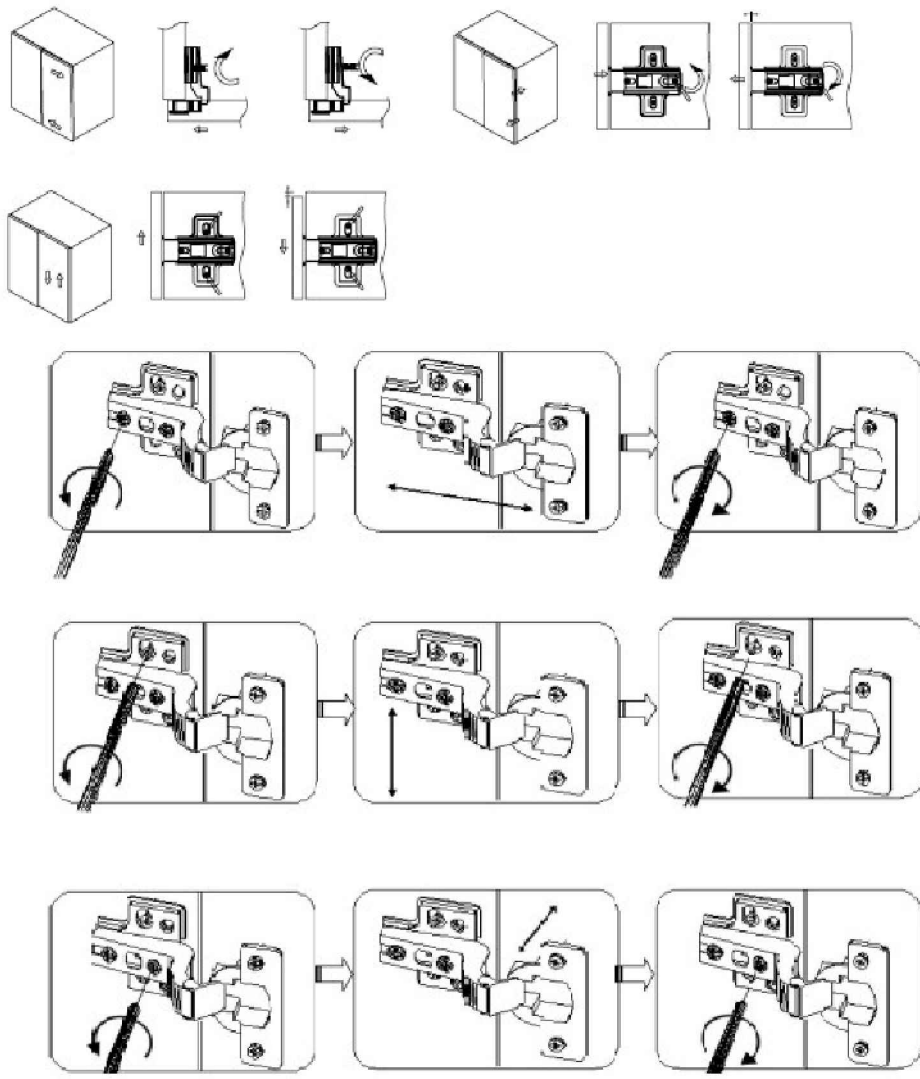


Step 18: Use a Phillips Head Screw to attach Hinge(W/X) to the Drawer Right Panel(C19b) and Drawer Left Panel (C19a) by Screw(L).

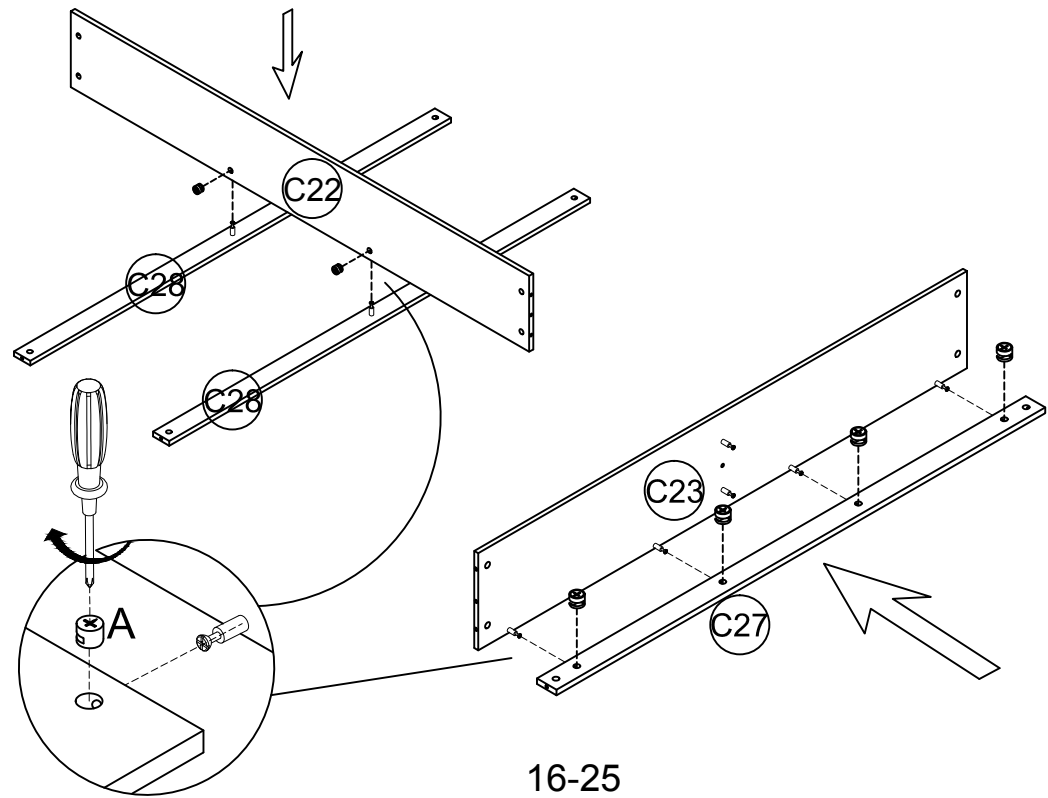


Step 19: Use a Phillips Head Screw Driver to attach hinge (W) to the shelf panel(C9).
Adjust and level door panels first before attaching hinge (X).
Please see below for adjustment direction.

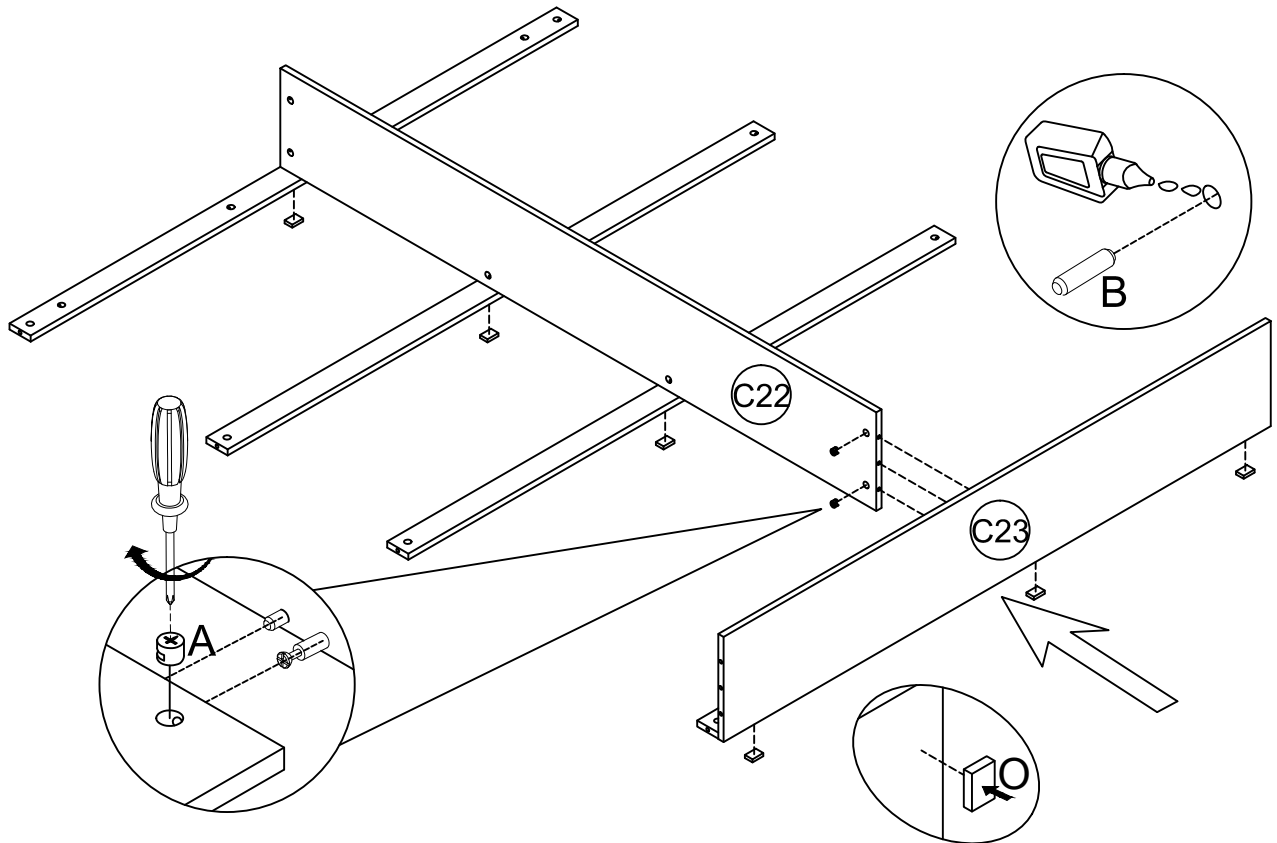




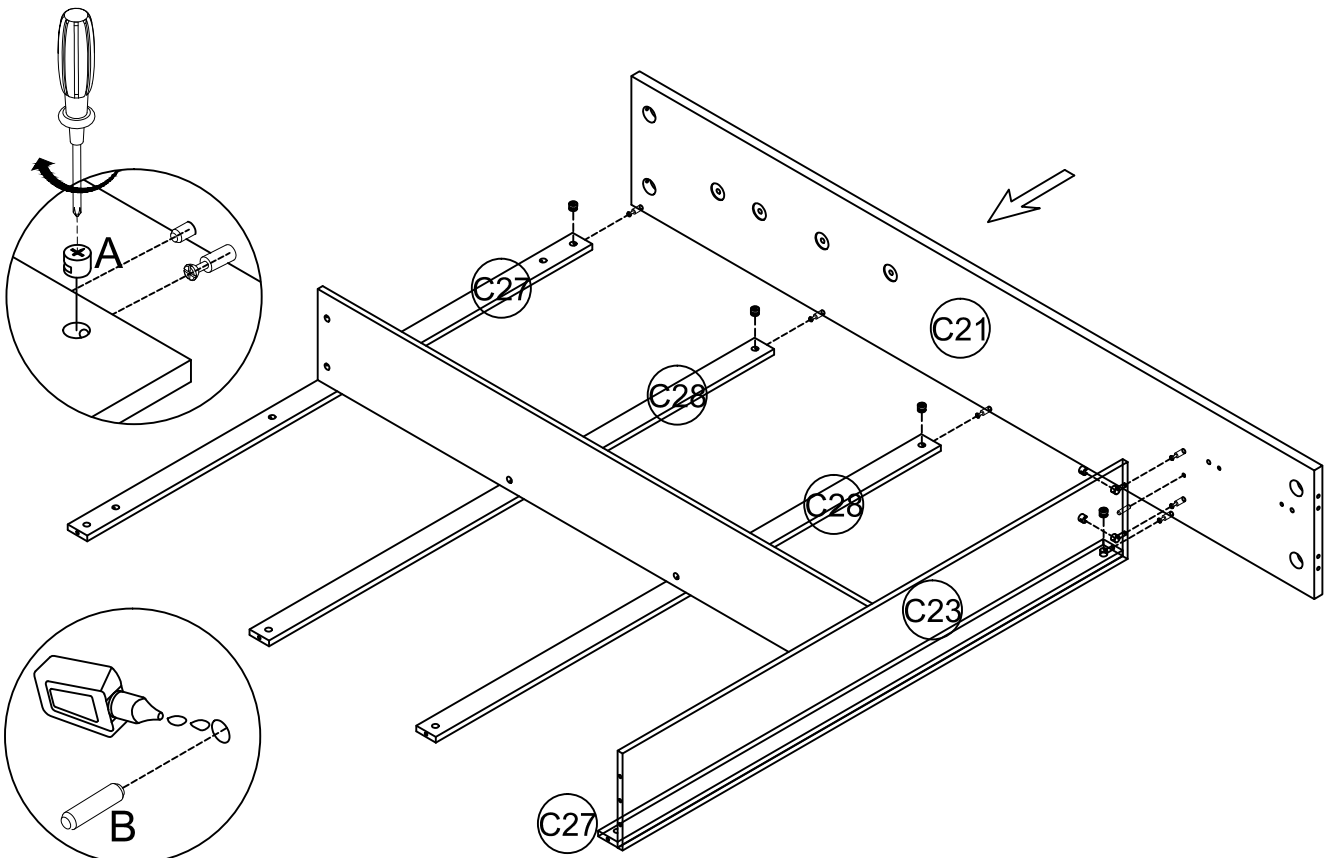
Step 20: Attach Rail(C28) to the Middle Support Panel(C22) and attach Rail(C27) to the Footboard Panel(C23).And use a Phillips Head Screw to turn the Cam Lock(A) to lock into the head of the Cam Pin(A).



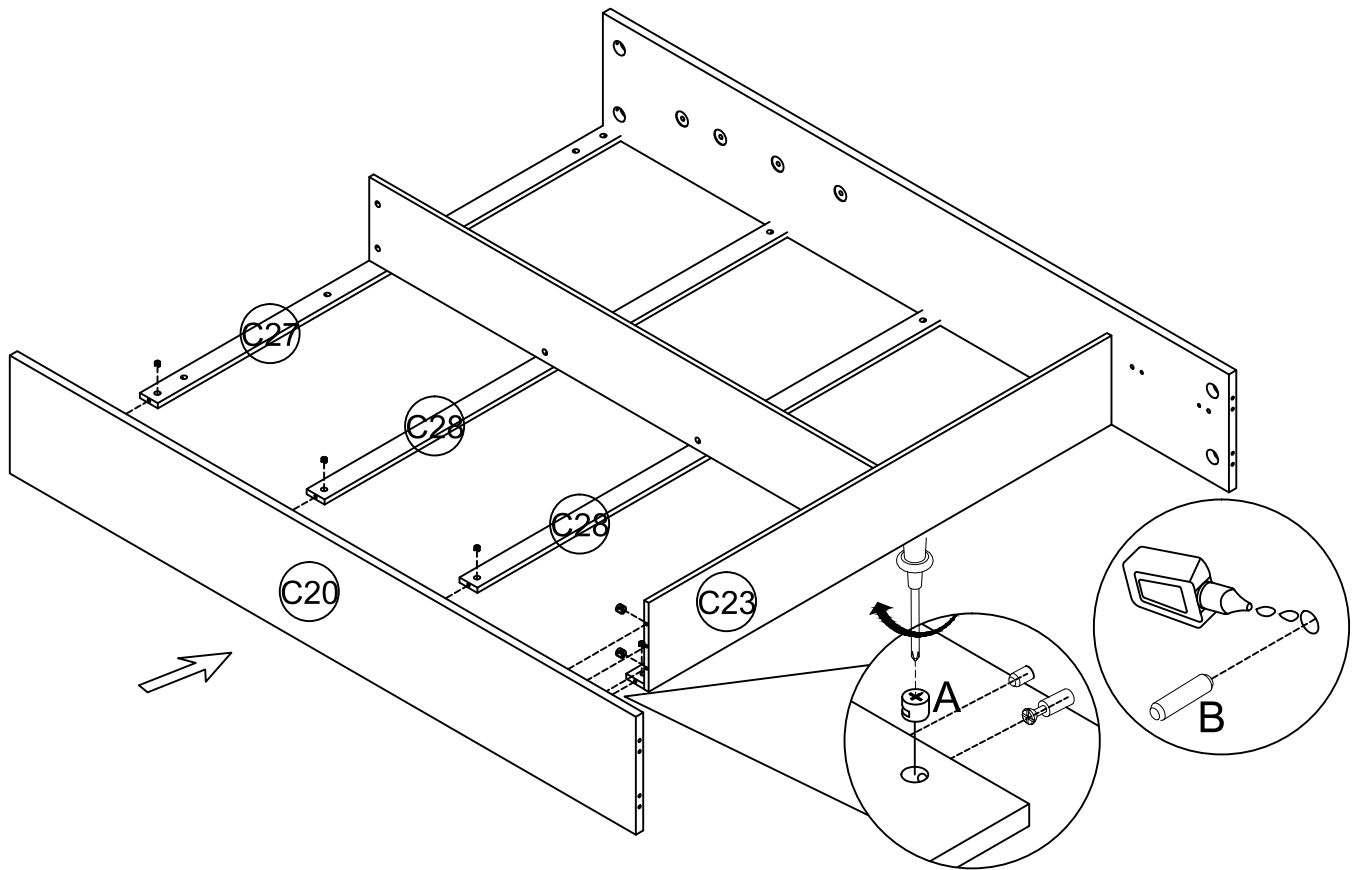
Step 21: Attach Footboard Panel(C23) to the Middle Support Panel(C22).And use a Phillips Head Screw to turn the Cam Lock(A) to lock into the head of the Cam Pin(A).



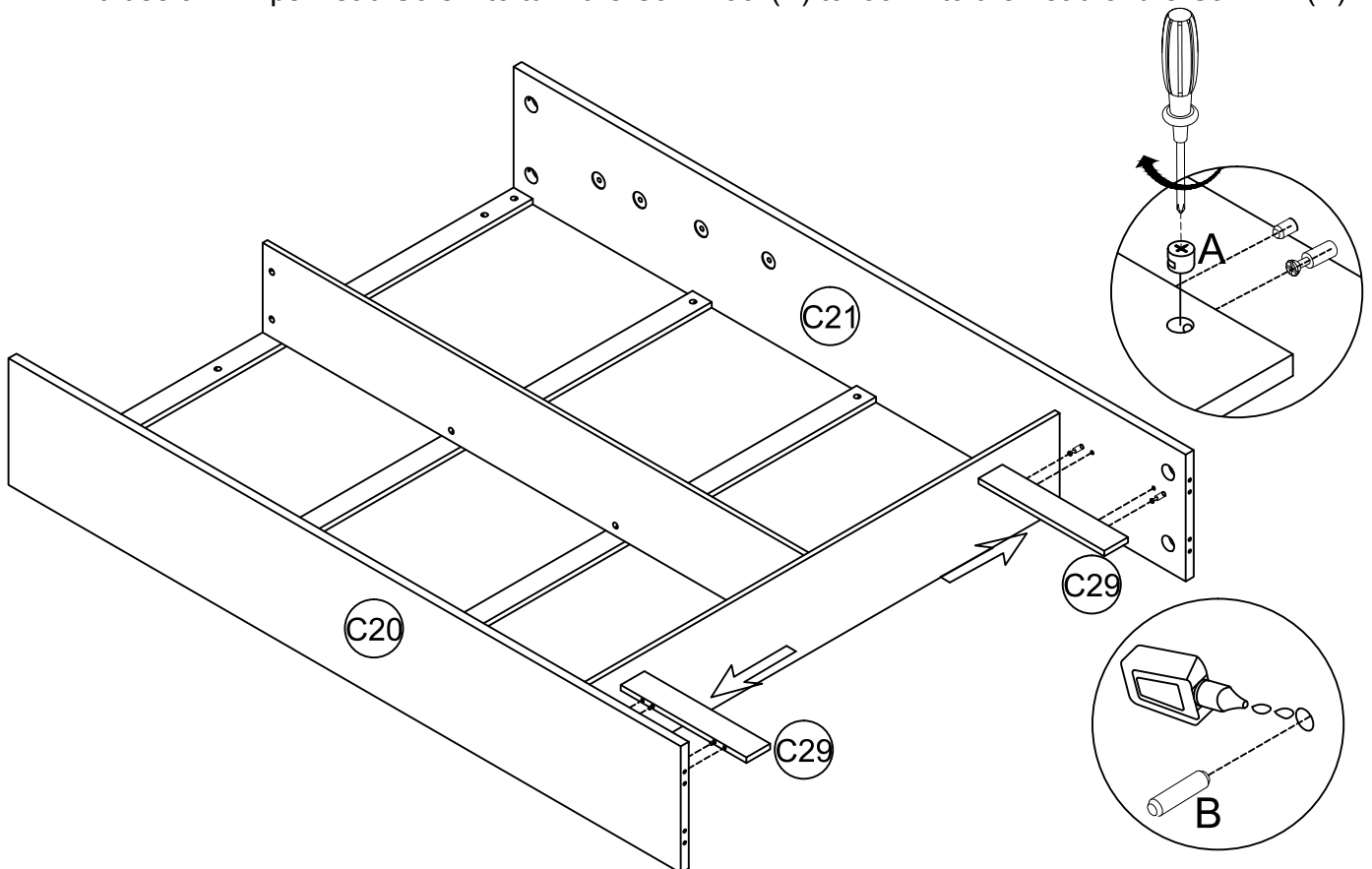
Step 22: Attach Right Side Panel(C21) to the Rail(C27/C28) and Footboard Panel(C23).And use a Phillips Head Screw to turn the Cam Lock(A) to lock into the head of the Cam Pin(A).



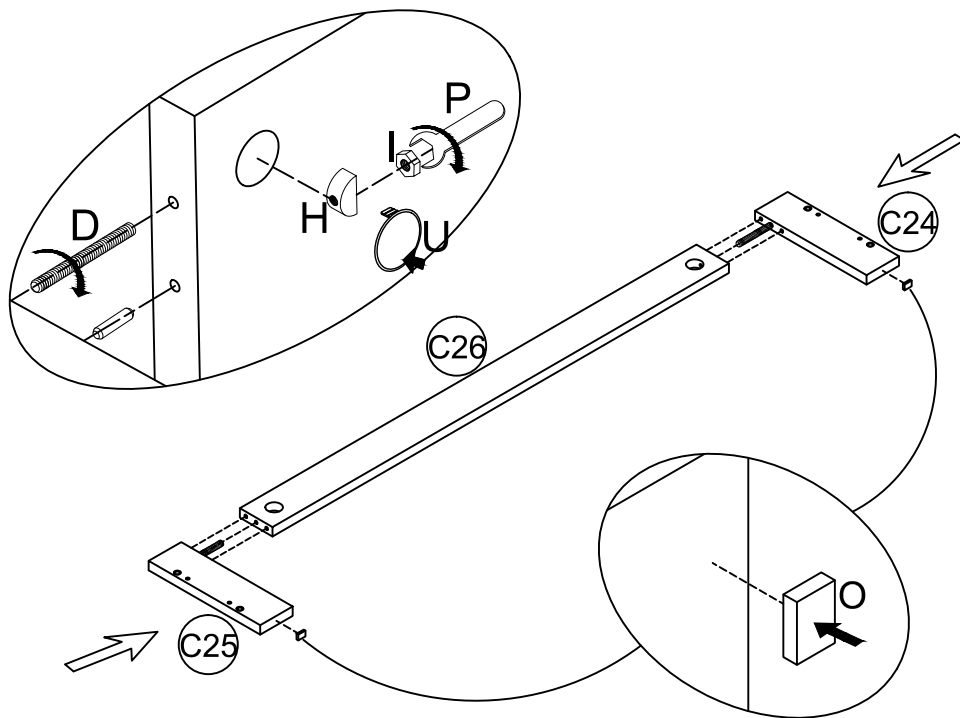
Step 23: Attach Left Side Panel(C20) to the Rail(C27/C28) and Footboard Panel(C23).And use a Phillips Head Screw to turn the Cam Lock(A) to lock into the head of the Cam Pin(A).



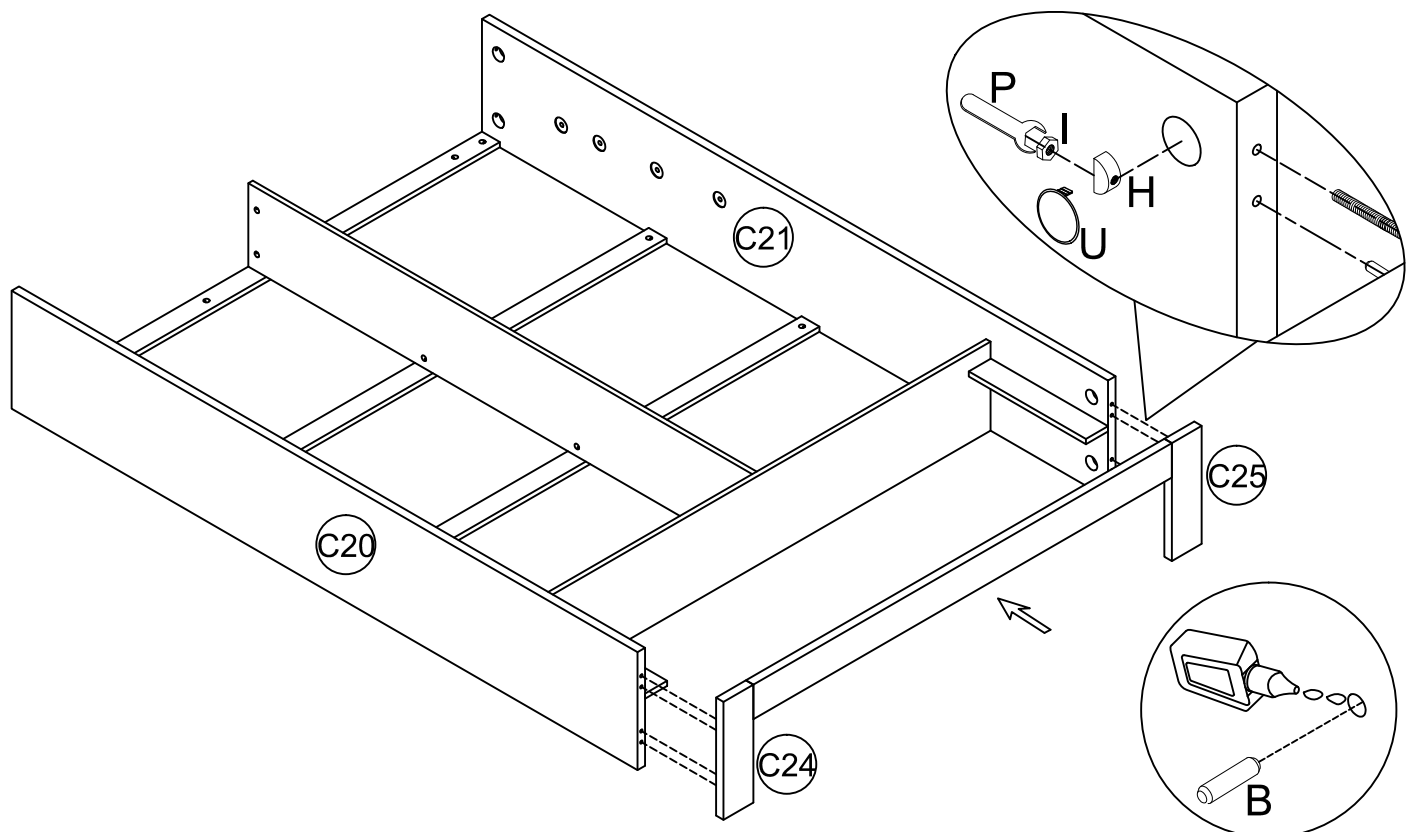
Step 24: Attach Connect Panel(C29)to the Left Side Panel(C20) and the Right Side Panel(C21). And use a Phillips Head Screw to turn the Cam Lock(A) to lock into the head of the Cam Pin(A).



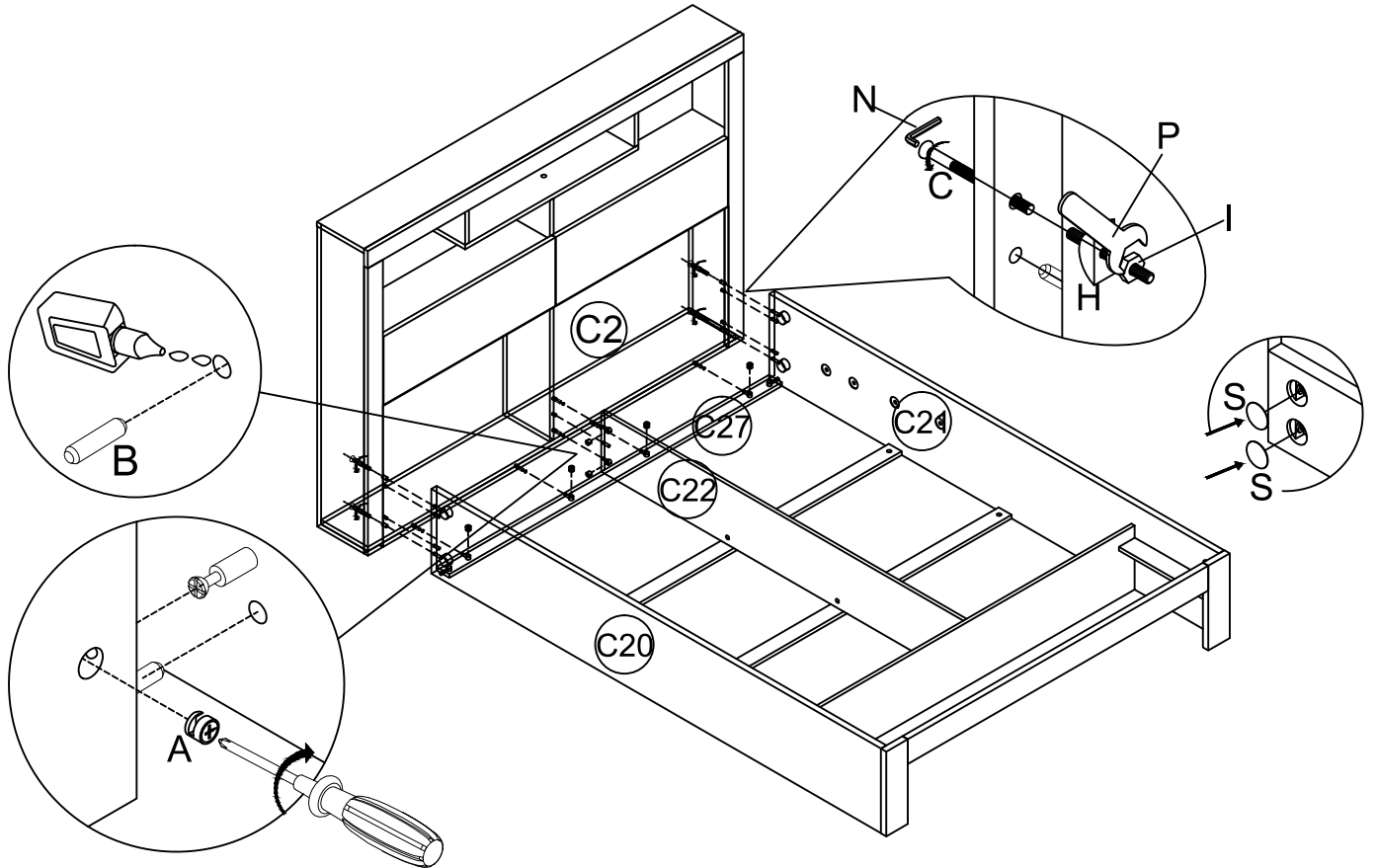
Step 25: Attach the Left Connect Panel(C24)and Right Connect Panel(C25) to the Front Connect Panel(C26). Use Wrench(P) to secure Half Round Nuts(H) and Hexagonal Nuts(I).



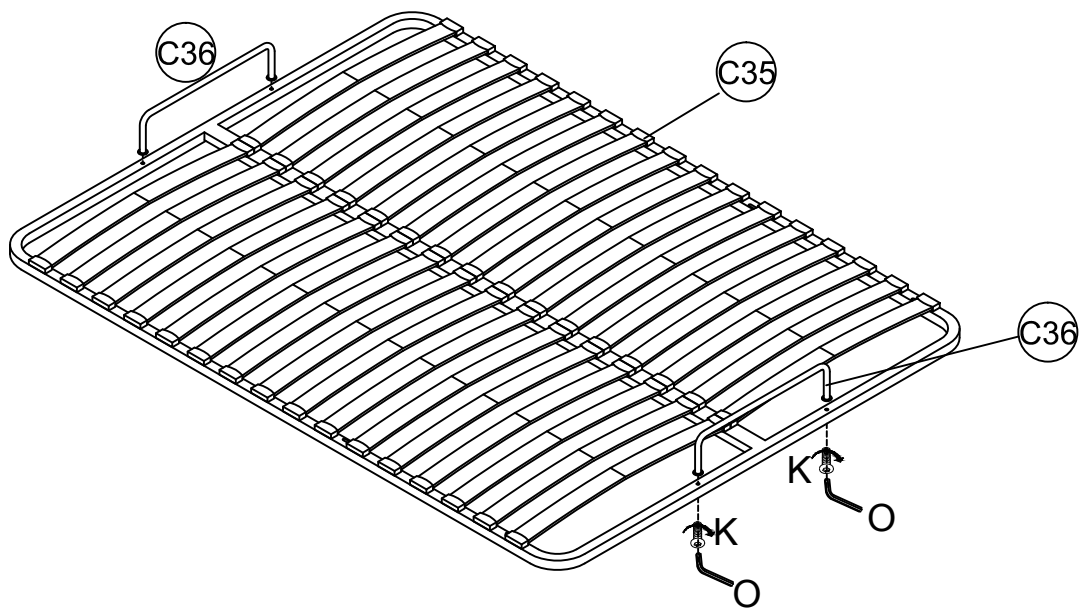
Step 26: Attach the Left Connect Panel(C24)and Right Connect Panel(C25) to the Left Side Panel(C20) and the Right Side Panel(C21).And use Wrench(P) to secure Half Round Nuts(H) and Hexagonal Nuts(I).



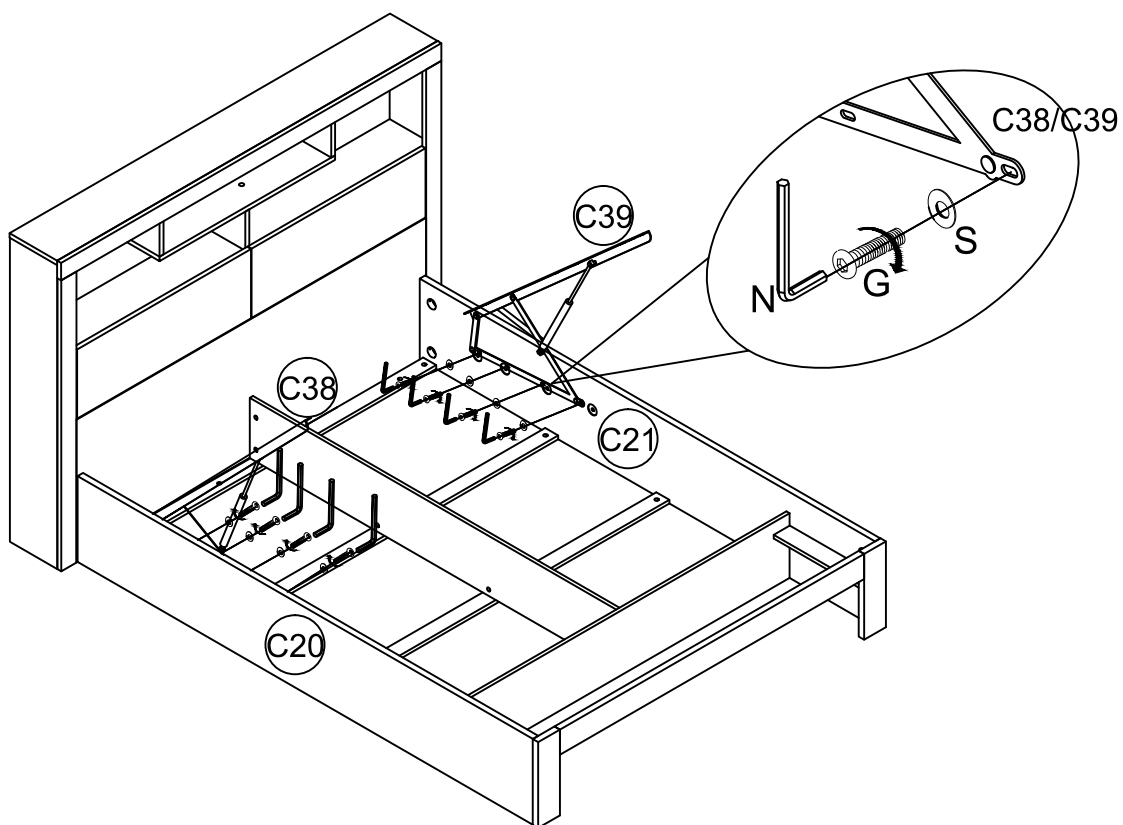
Step 27: Align the Dowels(B) in the Headboard to the Left Side Panel(C20) and the Right Side Panel(C21). Use Wrench(P) and Hey key(N)to secure Bolt(C) and Half Round Nuts(H) and Hexagonal Nuts(I).



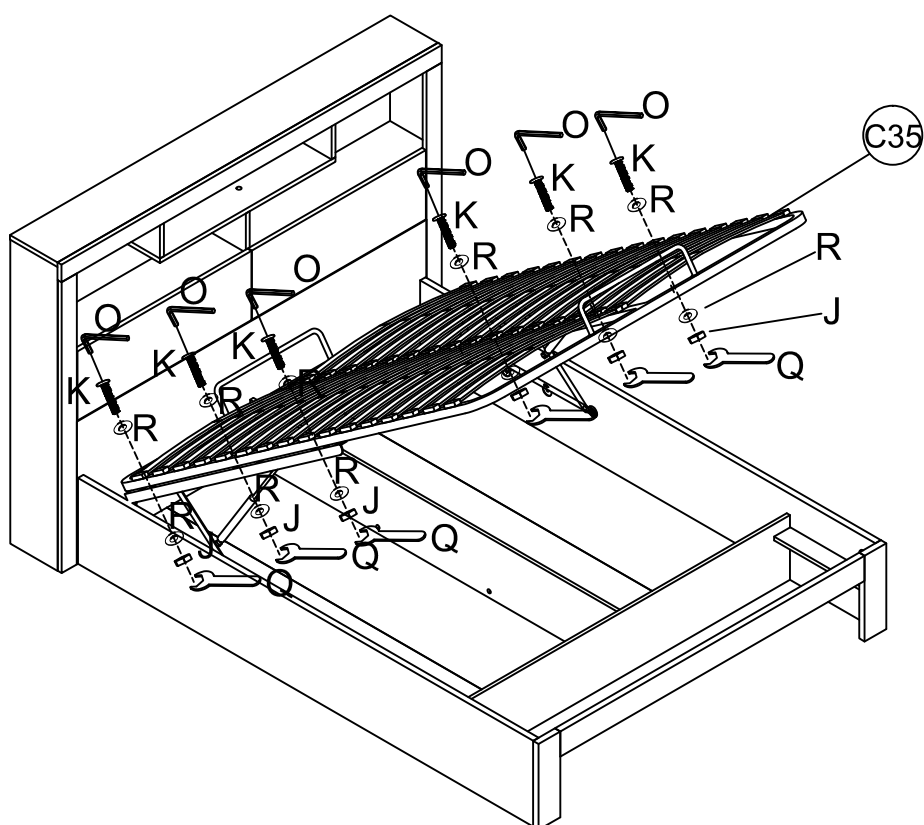
Step 28: Use Hex Key(O) to attach the Handle(C36) to the Slats(C35) with Bolt(K) .



Step 29: Use Hex Key(N) to attach the Gas Lift(C38/C39) to the Left Side Panel(C20) and the Right Side Panel(C21) with Bolt(G) and Washer(S).

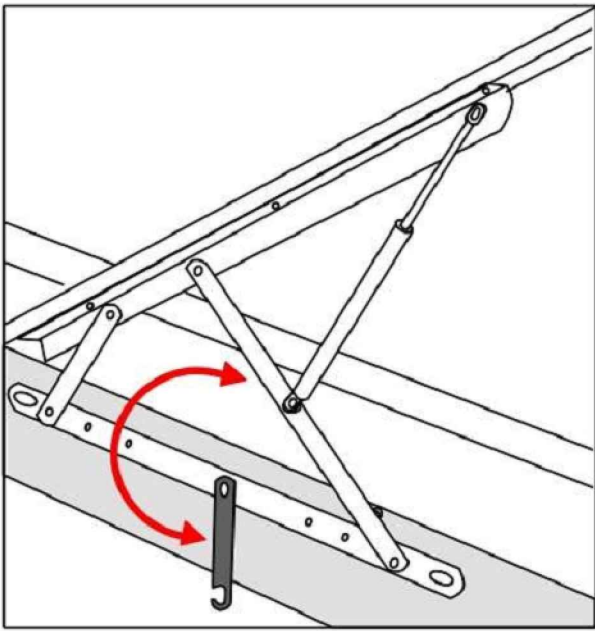


Step 30: Use Hex Key(R) and Wrench(N) to attach Slats(C35) and Gas Lift(C38/C39) with Bolt(K) and Washer(R) and Hexagonal Nuts(J).

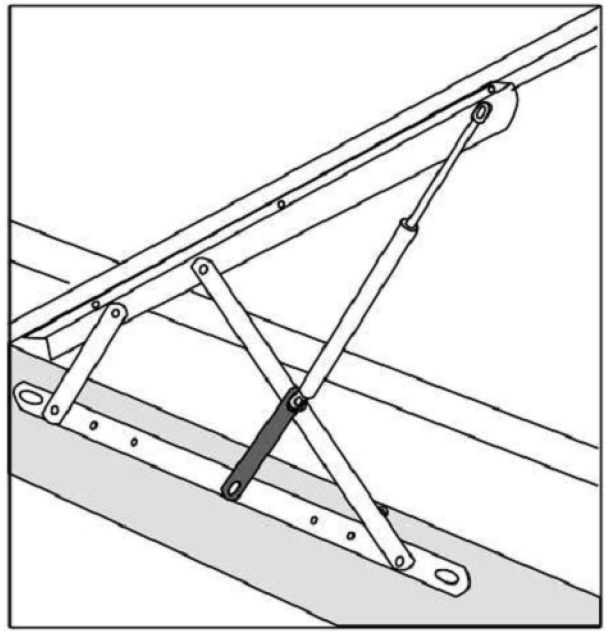


SAFETY CAUTION WARNING

Please always lock the safety lock mechanism while the bed base is in lifting position.
Unlock it before you want to put the bed base back into normal position.

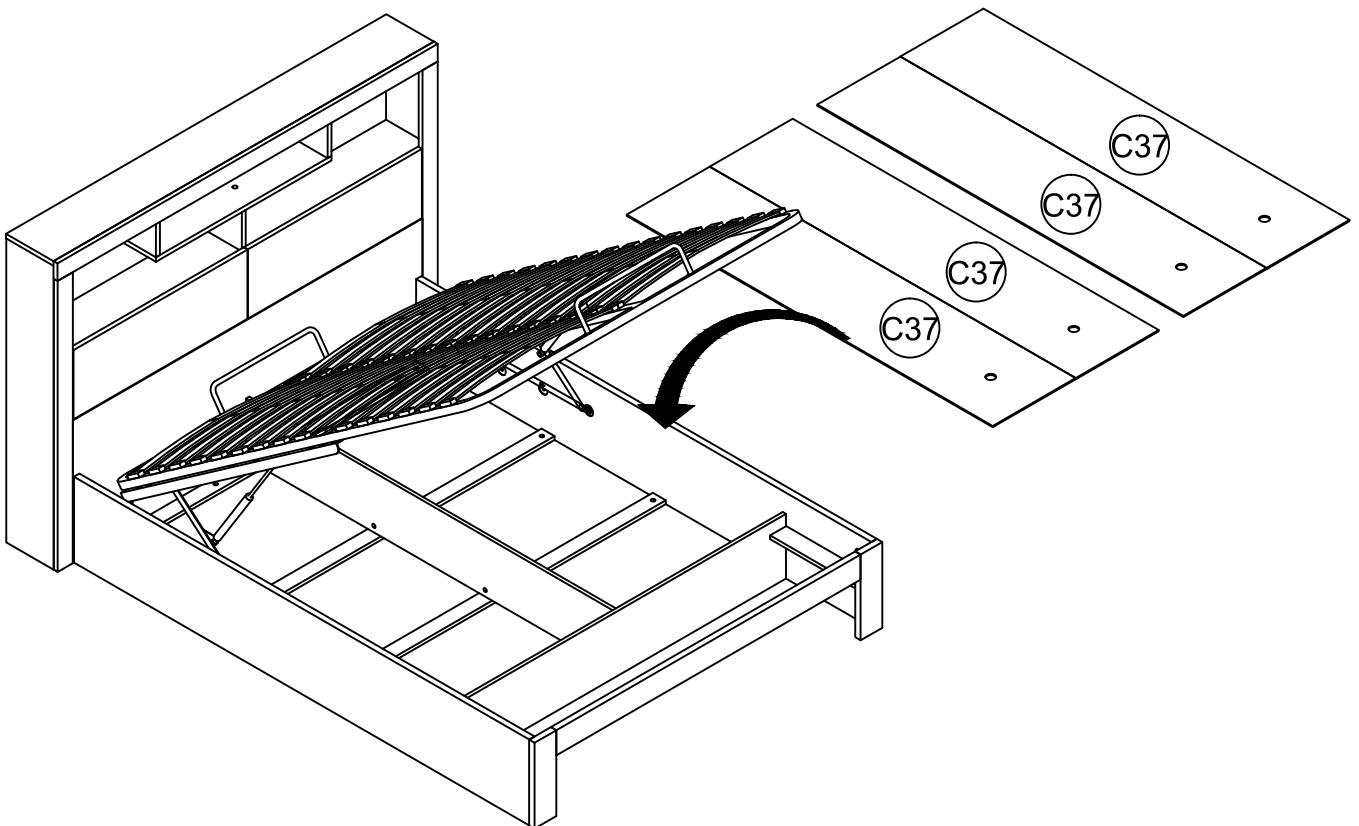


UNLOCK POSITION

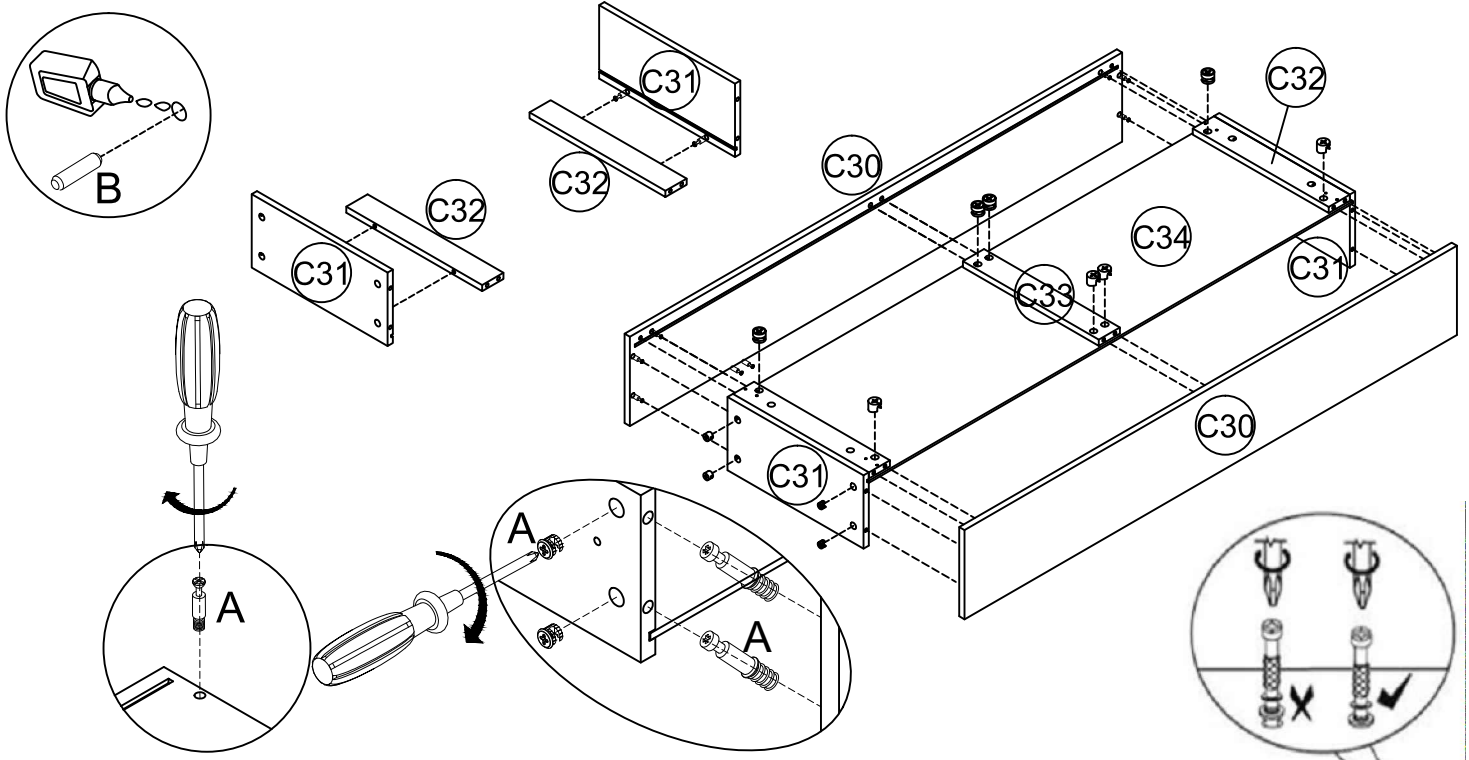


LOCK POSITION

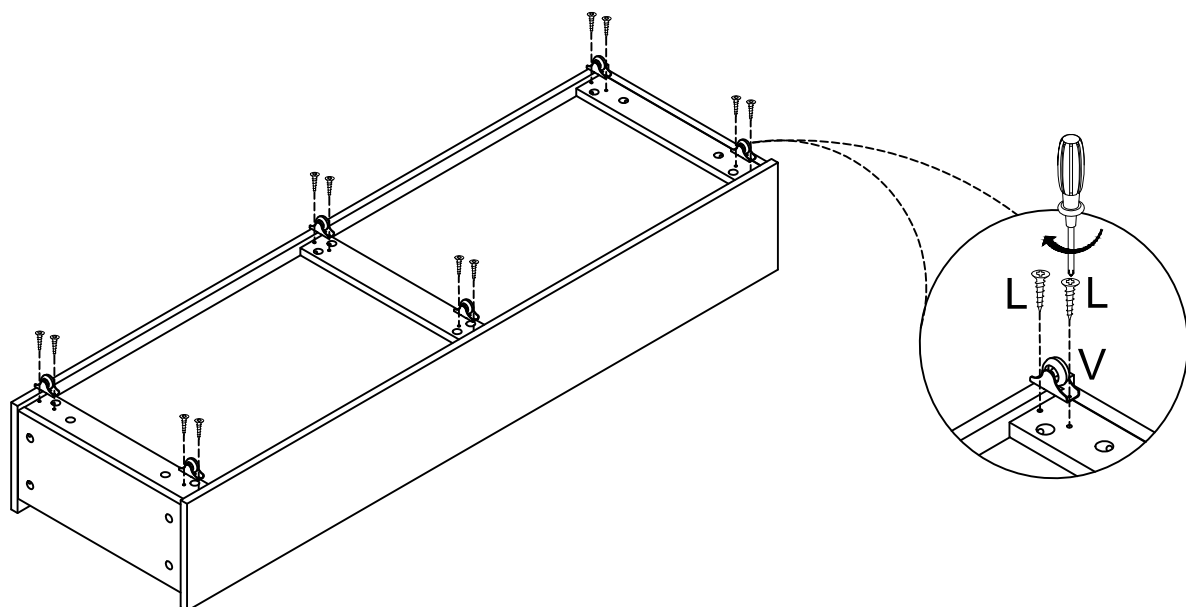
Step 31: Put Bottom Panel(C31) into the Bedframe.



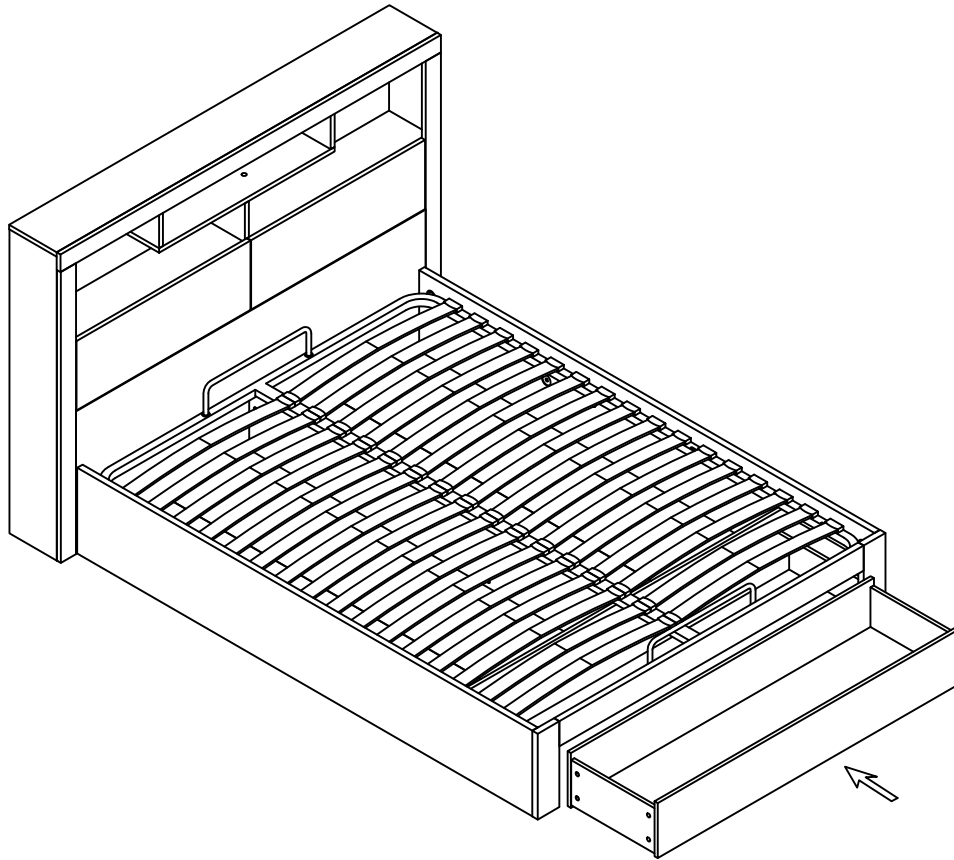
Step 32: Use Phillips Head Screw to insert Cam Pin(A) to the Drawer Side Panel(C31) and Drawer Support Panel(C32). Then attach the Drawer Side Panel(C31) and Drawer Support Panel(C32) to the Drawer Bottom Panel(C34), and attach Drawer Middle Support Panel(C33) to the Drawer Bottom Panel(C34). Attach Drawer Panel(C30) to the Drawer Side Panel(C31) and Drawer Panel(C30). Final, Use a Phillips Head Screwdriver to turn the Cam Lock(A) to lock into the head of the Cam Pin(A).



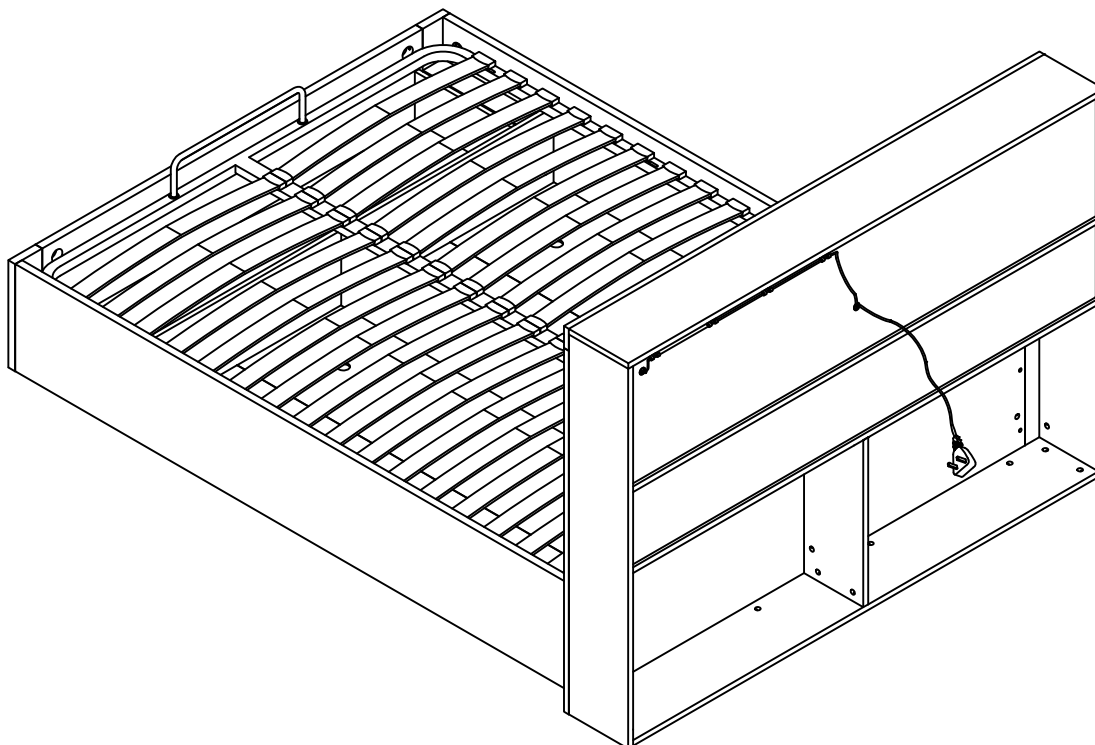
Step 33: Use Use a Phillips Head Screwdriver to attach Wheel(V) to the Drawer Support Panel(C32) with Screw(L).



Step 34: Put the Drawer to the Bedframe.

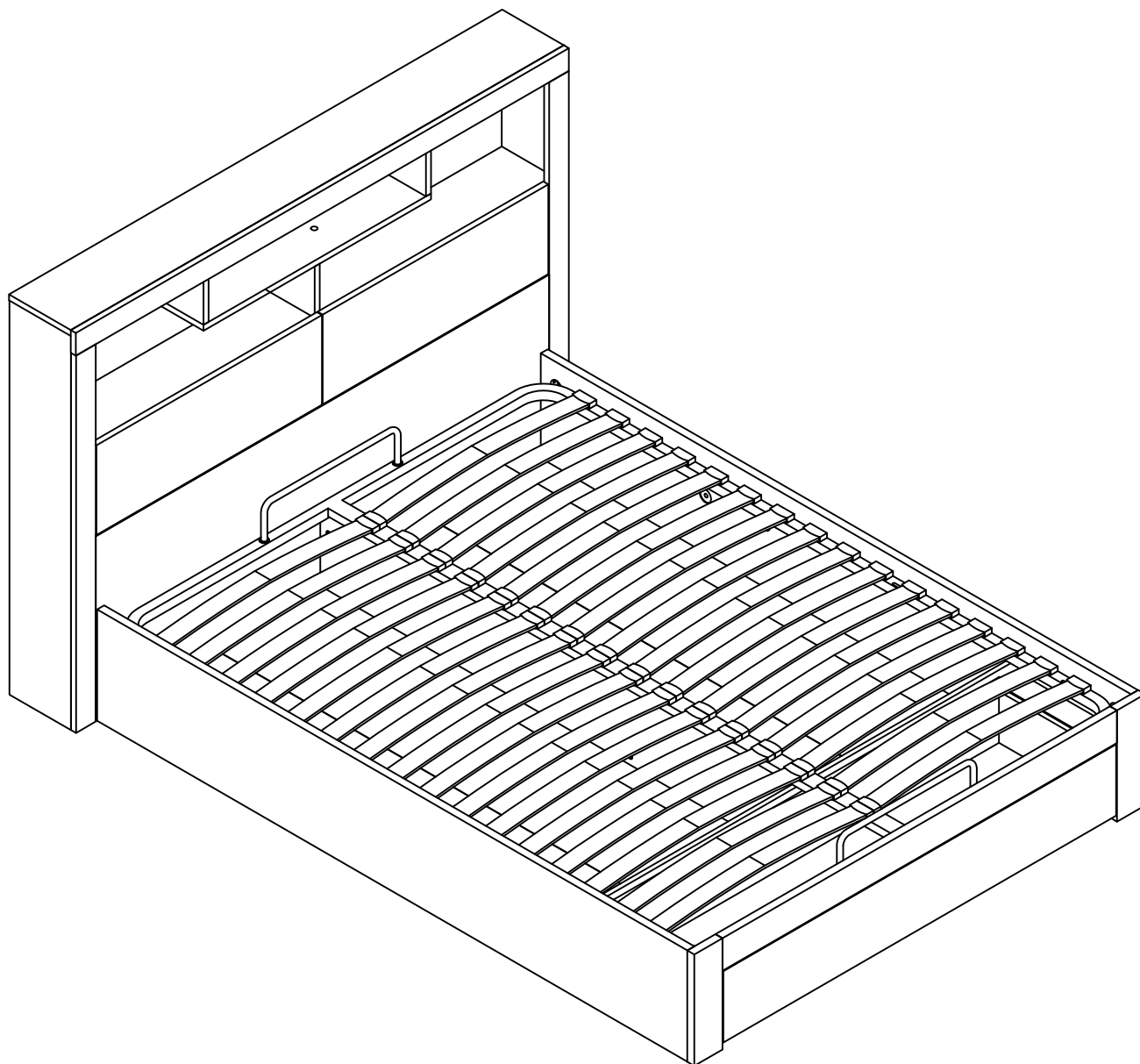


Step 35: Put the sticker(Z) into the clips first. And then put the clip(Z) into the Back panel(C15).



Assembly is complete

WARNING
PINCH HAZARD: BEWARE OF YOUR FINGERS WHEN LIFTING AND LOWERING THE MECHANISM



IMPORTANT NOTE:

Once the bed is positioned and the support legs are adjusted to touch floor , the slats can then be laid down and secured before putting on the mattress. DO NOT push or pull the bed if there is a need for re-positioning as this may result in broken support legs for the centre rail.